

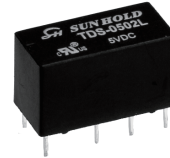
TDS SERIES

ORDER CODE

TDS-24-02-D

D: 0.45W
 I: 0.36W
 L: 0.2W
 W: 0.15W

03: DC 3V
 05: DC 5V
 06: DC 6V
 09: DC 9V
 12: DC 12V
 24: DC 24V
 48: DC 48V



Main Features:

- 2pole Relay suitable for single circuit.
- Plastic epoxy resin sealed type for washing procedure.
- Small size and lightweight can provide high density PCB mounting.
- DIL pitch terminal.

COIL RATING (at 20°C)

	NOMINAL VOLTAGE (VDC)	COIL RESISTANCE (Ω)($\pm 10\%$)	POWER CONSUMPT - ION(W)	NOMINAL CURRENT (mA)($\pm 10\%$)	PULL IN VOLTAGE (VDC)	DROP OUT VOLTAGE (VDC)	MAX. ALLOWABLE VOLTAGE (VDC)
D	3V	20 Ω	0.45W	150.0mA	75% MAX.	10% MIN.	150%
	5V	56 Ω		89.2mA			
	6V	80 Ω		75.0mA			
	9V	180 Ω		50.0mA			
	12V	320 Ω		37.5mA			
	24V	1280 Ω	18.8mA				
	48V	5000 Ω	0.46W	12.0mA			

	NOMINAL VOLTAGE (VDC)	COIL RESISTANCE (Ω)($\pm 10\%$)	POWER CONSUMPT - ION(W)	NOMINAL CURRENT (mA)($\pm 10\%$)	PULL IN VOLTAGE (VDC)	DROP OUT VOLTAGE (VDC)	MAX. ALLOWABLE VOLTAGE (VDC)
I	3V	25 Ω	0.36W	120.0mA	75% MAX.	10% MIN.	150%
	5V	70 Ω		71.4mA			
	6V	100 Ω		60.0mA			
	9V	220 Ω		40.9mA			
	12V	400 Ω		30.0mA			
	24V	1600 Ω	15.0mA				

	NOMINAL VOLTAGE (VDC)	COIL RESISTANCE (Ω)($\pm 10\%$)	POWER CONSUMPT - ION(W)	NOMINAL CURRENT (mA)($\pm 10\%$)	PULL IN VOLTAGE (VDC)	DROP OUT VOLTAGE (VDC)	MAX. ALLOWABLE VOLTAGE (VDC)
L	3V	45 Ω	0.2W	66.7mA	75% MAX.	10% MIN.	150%
	5V	125 Ω		40.0mA			
	6V	180 Ω		33.3mA			
	9V	405 Ω		22.2mA			
	12V	720 Ω		16.7mA			
	24V	2800 Ω	8.6mA				

	NOMINAL VOLTAGE (VDC)	COIL RESISTANCE (Ω)($\pm 10\%$)	POWER CONSUMPT - ION(W)	NOMINAL CURRENT (mA)($\pm 10\%$)	PULL IN VOLTAGE (VDC)	DROP OUT VOLTAGE (VDC)	MAX. ALLOWABLE VOLTAGE (VDC)
W	3V	60 Ω	0.15W	50.0mA	75% MAX.	10% MIN.	150%
	5V	167 Ω		29.9mA			
	6V	240 Ω		25.0mA			
	9V	540 Ω		16.7mA			
	12V	960 Ω		12.5mA			
	24V	3840 Ω	6.3mA				

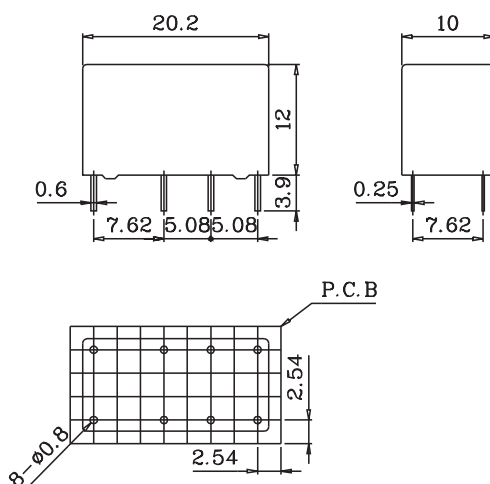
CONTACT RATING

Item	Type	2A
Rated Carrying Current		DC24V 2A AC120V 1A
Max. Allowable Current		2A
Max. Allowable Voltage		AC 150V DC 28V
Max. Current (continual)		2A
Contact Material		Ag alloy

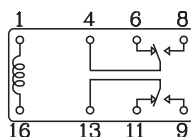
PERFORMANCE (at initial value)

Item	Type	2A
Contact Resistance		100mΩ Max. (initial value)
Operate Time		6msec Max.
Release Time		4msec Max.
Dielectric Strength between coil & contact between contact		AC1000V (1min) AC500V (1min)
Insulation Resistance		100MΩ Min.(DC500V)
Operating Ambient Temperature		-40°C ~ +80°C
Humidity		35 to 85% RH
Vibration Resistance		10G (10~55Hz)(Dual amplitude:1.5mm)
Shock Resistance		10G
Life Expectancy Mechanically Electrically		10,000,000 ops. Min.(1800 ops./h) 100,000 ops. Min.(1200 ops./h)
Weight		5g(about)

DIMENSIONS(Unit: mm)



WIRING DIAGRAMS(Bottom View)



REFERENCE DATA

