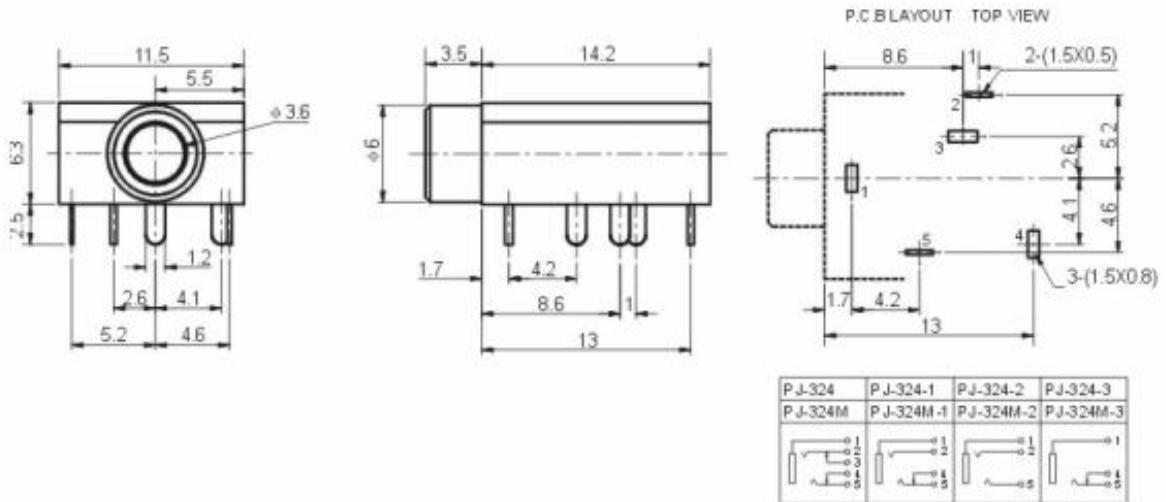




Temperature	-30-70□	Withstand Voltage	AC500V(50Hz)/min
Rated Load	DC 30V 0.5A	Actuating Force	3~20N
Contact Resistance	≤0.03Ω	Life	5000□
Insulation Resistance	≥100MΩ		



JACK STEREO PARA PLACA

www.electronica60norte.com