

Transistors

TO-247

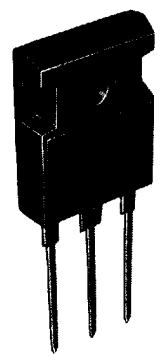
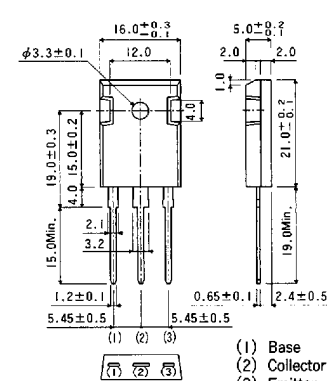
TO-220 class high output power package with Pc 60 to 100W.

(Unit : mm)

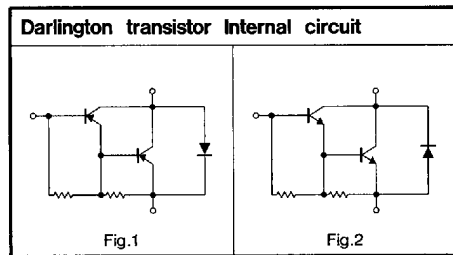
Application	Part No.	V _{CEO} (V)	I _c (A)	P _c (W) T _c = 25°C	h _{FE}	h _{FE}	V _{CE} (V)	I _c (A)	Internal circuit
						Ranking code			
Driver	☆2SB1477	-100	-5	60	60~320	D E F	-5	-1	-
	☆2SB1345	-80	-7	80	60~320	D E F	-5	-1	-
	☆2SD2236	100	5	60	60~320	D E F	5	1	-
	☆2SD2062	80	7	80	60~320	D E F	5	1	-
AudioOutput	2SA1788	-120	-8	80	60~320	D E F	-5	-1	-
	2SA1633	-150	-10	100	60~320	D E F	-5	-1	-
	☆2SC4652	120	8	80	60~320	D E F	5	1	-
	2SC4278	150	10	100	60~320	D E F	5	1	-
Low V _{CE(sat)}	☆2SA1789	-60	-12	80	60~320	D E F	-2	-2	-
	☆2SC4653	60	12	80	60~320	D E F	2	2	-
	☆2SC4847	120	5 circuit	60	60~200	D E	5	3	-
	☆2SC4850	120	7 circuit	60	60~200	D E	5	3	-
High Voltage SW	☆2SC4277	400	5	80	16~50	A B	5	3	-
	☆2SC5114	500	5	80	10~50	-	5	2.5	-
	☆2SC5118	550	4	80	10~50	-	5	2	-
Darlington	☆2SB1478	-100	-8	60	2k~20k	-	-3	-2	Fig.1
	☆2SD2237	100	8	60	2k~20k	-	3	2	Fig.2

Note : ☆Under development

TO-247

Dimensions (mm):
 16.0 ± 0.3, 12.0, 5.0 ± 0.1, 2.0, 2.0, 1.0, 2.1, 3.2, 19.0 ± 0.3, 4.0, 15.0 ± 0.2, 1.2 ± 0.1, 5.45 ± 0.5, 0.65 ± 0.1, 5.45 ± 0.5, 2.4 ± 0.5, 19.0 Min., 21.0 ± 0.1.
 Pinout: (1) Base, (2) Collector, (3) Emitter.



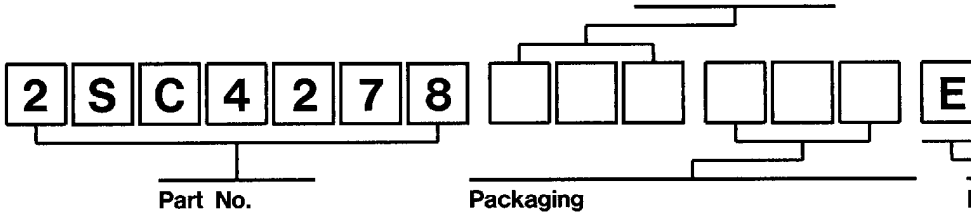
Note : ☆Under development

Product Designation

- When ordering, specify the type.
- Check each code against the tables shown below.
- Fill a space with the next character.

Special code

- Omit for standard product.
- Factory assigned for custom product.



Packaging

Package	Code	Package specifications	Quantity/Package (pcs)
TO-247	None	Bulk	200
	F31	Packed in forming tray	500

Others package specifications are under consideration. Ask for details.

h_{FE} Ranking code

Input h_{FE} rank signal display

One rank preferred D

Multiple rank preferred D F

(Min., Max. is displayed)

Code	h _{FE} Range
A	16~32
B	25~50
C	40~80
D	60~120
E	100~200
F	160~320
G	250~500
H	400~800
J	600~1200
K	1000~2000