

Features

- 3/8 " Square/ Multiturn / Cermet / Industrial / Sealed
- Five popular terminal styles
- Standoffs
- Patent #4427966 drive mechanism
- RoHS compliant* version available

3299 - 3/8 " Square Trimming Potentiometer

Electrical Characteristics

Standard Resistance Range10 to 2 megohms
(see standard resistance table)
Resistance Tolerance±10 % std.
(tighter tolerance available)
Absolute Minimum Resistance1 % or 2 ohms max.
(whichever is greater)
Contact Resistance Variation1.0 % or 3 ohms max.
(whichever is greater)
Adjustability
Voltage.....±0.01 %
Resistance.....±0.05 %
Resolution.....Infinite
Insulation Resistance500 vdc.
1,000 megohms min.
Dielectric Strength
Sea Level900 vac
70,000 Feet350 vac
Effective Travel.....25 turns nom.

Environmental Characteristics

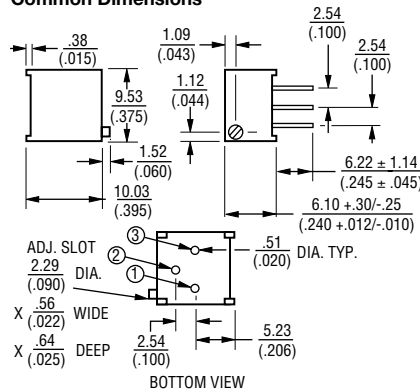
Power Rating (300 volts max.)
70 °C0.5 watt
125 °C0 watt
Temperature Range.....-55 °C to +125 °C
Temperature Coefficient±100 ppm/°C
Seal Test.....85 °C Fluorinert†
Humidity.....MIL-STD-202 Method 103
96 hours
(2 % ΔTR, 10 Megohms IR)
Vibration.....20 G (1 % ΔTR; 1 % ΔVR)
Shock.....100 G (1 % ΔTR; 1 % ΔVR)
Load Life
.....1,000 hours 0.5 watt @ 70 °C
(3 % ΔTR; 3 % or 3 ohms, whichever is greater, CRV)
Rotational Life200 cycles
(4 % ΔTR; 3 % or 3 ohms, whichever is greater, CRV)

Physical Characteristics

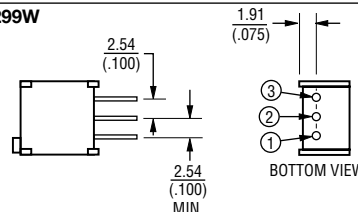
Torque3.0 oz-in. max.
Mechanical Stops.....Wiper idles
TerminalsSolderable pins
Weight0.035 oz.
MarkingManufacturer's trademark, resistance code, wiring diagram, date code, manufacturer's model number and style
Wiper.....50 % (Actual TR) ±10 %
FlammabilityU.L. 94V-0
Standard Packaging50 pcs. per tube
Adjustment ToolH-90

3299P

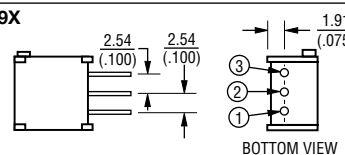
Common Dimensions



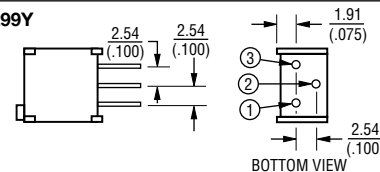
3299W



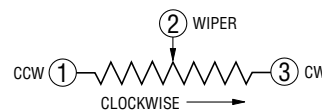
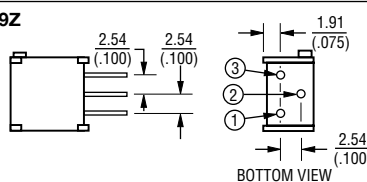
3299X



3299Y



3299Z



TOLERANCES: ± 0.25 (.010) EXCEPT WHERE NOTED

DIMENSIONS ARE: $\frac{\text{MM}}{\text{(INCHES)}}$

Standard Resistance Table

Resistance (Ohms)	Resistance Code
10	100
20	200
50	500
100	101
200	201
500	501
1,000	102
2,000	202
5,000	502
10,000	103
20,000	203
25,000	253
50,000	503
100,000	104
200,000	204
250,000	254
500,000	504
1,000,000	105
2,000,000	205

Popular distribution resistance values listed in boldface. Special resistances available.

How To Order

3299 W - 1 - 103 LF

Model _____
 Style _____
 Standard or Modified _____
 Product Indicator _____
 -1 = Standard Product
 Resistance Code _____
 Terminations _____
 LF = 100 % Tin-plated (RoHS compliant)
 Blank = 90 % Tin / 10 % Lead-plated (Standard)
 Consult factory for other available options.

*RoHS Directive 2002/95/EC Jan 27 2003 including Annex.

†"Fluorinert" is a registered trademark of 3M Co.

Specifications are subject to change without notice.

Customers should verify actual device performance in their specific applications.