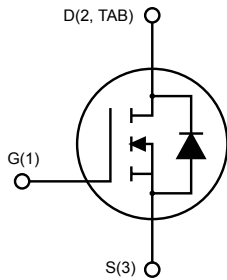
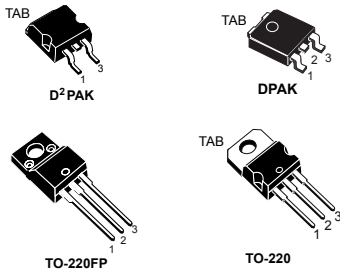


## N-channel 200 V, 0.11 $\Omega$ , 15 A, MESH OVERLAY™ Power MOSFETs in D<sup>2</sup>PAK, DPAK, TO-220FP and TO-220 packages



AM01475v1\_noZen

### Features

Type	$V_{DS}$	$R_{DS(on)}$ max.	$I_D$	Package
STB19NF20	200 V	0.16 $\Omega$	15 A	D <sup>2</sup> PAK
STD19NF20				DPAK
STF19NF20				TO-220FP
STP19NF20				TO-220

- Extremely high dv/dt capability
- Gate charge minimized
- Very low intrinsic capacitance

### Applications

- Switching applications

### Description

These Power MOSFETs are designed using STMicroelectronics' consolidated strip-layout-based MESH OVERLAY™ process. The result is a product that matches or improves on the performance of comparable standard parts from other manufacturers.

#### Product status links

[STB19NF20](#)

[STD19NF20](#)

[STF19NF20](#)

[STP19NF20](#)

# 1 Electrical ratings

**Table 1. Absolute maximum ratings**

Symbol	Parameter	Value		Unit
		D <sup>2</sup> PAK, DPAK, TO-220	TO-220FP	
V <sub>DS</sub>	Drain-source voltage	200		
V <sub>GS</sub>	Gate-source voltage	±20		V
I <sub>D</sub>	Drain current (continuous) at T <sub>C</sub> = 25 °C	15	15 <sup>(1)</sup>	A
	Drain current (continuous) at T <sub>C</sub> = 100 °C	9.45	9.45 <sup>(1)</sup>	
I <sub>DM</sub> <sup>(2)</sup>	Drain current (pulsed)	60	60 <sup>(1)</sup>	A
P <sub>TOT</sub>	Total dissipation at T <sub>case</sub> = 25 °C	90	25	W
V <sub>ISO</sub>	Insulation withstand voltage (RMS) from all three leads to external heat sink (t = 1 s, T <sub>C</sub> = 25 °C)		2.5	kV
dv/dt <sup>(3)</sup>	Peak diode recovery voltage slope	15		V/ns
T <sub>stg</sub>	Storage temperature range	-55 to 150		°C
T <sub>j</sub>	Operating junction temperature range			

1. This value is limited by package.
2. Pulse width is limited by safe operating area.
3. I<sub>SD</sub> ≤ 15 A, di/dt ≤ 300 A/μs, V<sub>DD</sub> = 80 % V<sub>(BR)DSS</sub>

**Table 2. Thermal data**

Symbol	Parameter	Value				Unit
		D <sup>2</sup> PAK	DPAK	TO-220	TO-220FP	
R <sub>thj-case</sub>	Thermal resistance junction-case	1.39			5	°C/W
R <sub>thj-pcb</sub> <sup>(1)</sup>	Thermal resistance junction-pcb	35	50			
R <sub>thj-amb</sub>	Thermal resistance junction-ambient			62.5		

1. When mounted on an 1-inch<sup>2</sup> FR-4, 2oz Cu board

**Table 3. Avalanche characteristics**

Symbol	Parameter	Value	Unit
I <sub>AR</sub>	Avalanche current, repetitive or not repetitive (pulse width limited by T <sub>jmax</sub> )	15	A
E <sub>AS</sub>	Single-pulse avalanche energy (starting T <sub>j</sub> = 25 °C, I <sub>D</sub> = I <sub>AR</sub> , V <sub>DD</sub> = 50 V)	110	mJ

## 2 Electrical characteristics

( $T_{\text{case}} = 25\text{ }^{\circ}\text{C}$  unless otherwise specified)

**Table 4. Static**

Symbol	Parameter	Test conditions	Min.	Typ.	Max.	Unit
$V_{(\text{BR})\text{DSS}}$	Drain-source breakdown voltage	$V_{\text{GS}} = 0\text{ V}$ , $I_{\text{D}} = 1\text{ mA}$	200			V
$I_{\text{DSS}}$	Zero gate voltage drain current	$V_{\text{GS}} = 0\text{ V}$ , $V_{\text{DS}} = 200\text{ V}$			1	$\mu\text{A}$
		$V_{\text{GS}} = 0\text{ V}$ , $V_{\text{DS}} = 200\text{ V}$ , $T_{\text{C}} = 125\text{ }^{\circ}\text{C}^{(1)}$			10	
$I_{\text{GSS}}$	Gate-body leakage current	$V_{\text{DS}} = 0\text{ V}$ , $V_{\text{GS}} = \pm 20\text{ V}$			$\pm 100$	nA
$V_{\text{GS(th)}}$	Gate threshold voltage	$V_{\text{DS}} = V_{\text{GS}}$ , $I_{\text{D}} = 250\text{ }\mu\text{A}$	2	3	4	V
$R_{\text{DS(on)}}$	Static drain-source on-resistance	$V_{\text{GS}} = 10\text{ V}$ , $I_{\text{D}} = 7.5\text{ A}$		0.11	0.16	$\Omega$

1. Defined by design, not subject to production test.

**Table 5. Dynamic**

Symbol	Parameter	Test conditions	Min.	Typ.	Max.	Unit
$C_{\text{iss}}$	Input capacitance	$V_{\text{DS}} = 25\text{ V}$ , $f = 1\text{ MHz}$ , $V_{\text{GS}} = 0\text{ V}$	-	800	-	$\text{pF}$
$C_{\text{oss}}$	Output capacitance		-	165	-	
$C_{\text{riss}}$	Reverse transfer capacitance		-	26	-	
$Q_{\text{g}}$	Total gate charge	$V_{\text{DD}} = 160\text{ V}$ , $I_{\text{D}} = 15\text{ A}$ , $V_{\text{GS}} = 0\text{ to }10\text{ V}$ (see Figure 16. Test circuit for gate charge behavior)	-	24	-	nC
$Q_{\text{gs}}$	Gate-source charge		-	4.4	-	
$Q_{\text{gd}}$	Gate-drain charge		-	11.6	-	

**Table 6. Switching times**

Symbol	Parameter	Test conditions	Min.	Typ.	Max.	Unit
$t_{\text{d(on)}}$	Turn-on delay time	$V_{\text{DD}} = 100\text{ V}$ , $I_{\text{D}} = 7.5\text{ A}$ , $R_{\text{G}} = 4.7\text{ }\Omega$ , $V_{\text{GS}} = 10\text{ V}$ (see Figure 15. Test circuit for resistive load switching times and Figure 20. Switching time waveform)	-	11.5	-	ns
$t_{\text{r}}$	Rise time		-	22	-	
$t_{\text{d(off)}}$	Turn-off delay time		-	19	-	
$t_{\text{f}}$	Fall time		-	11	-	

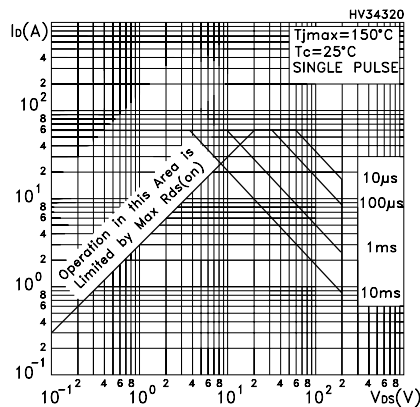
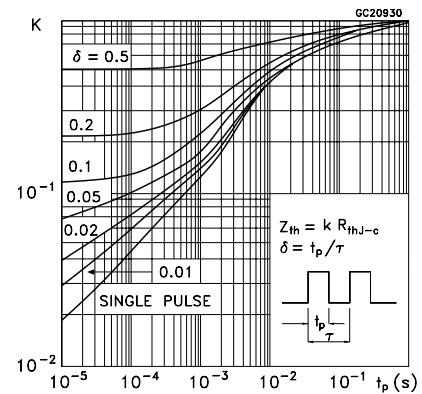
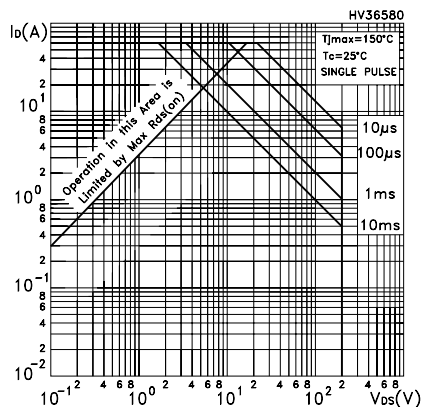
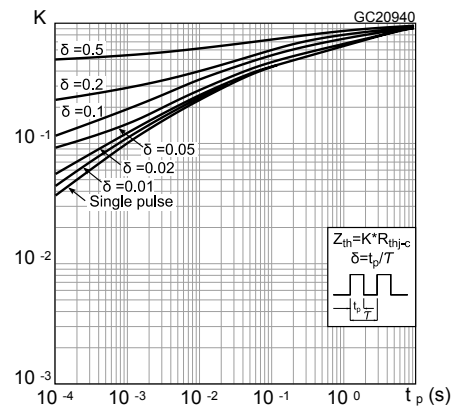
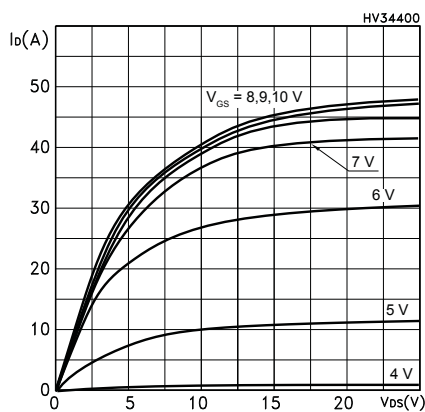
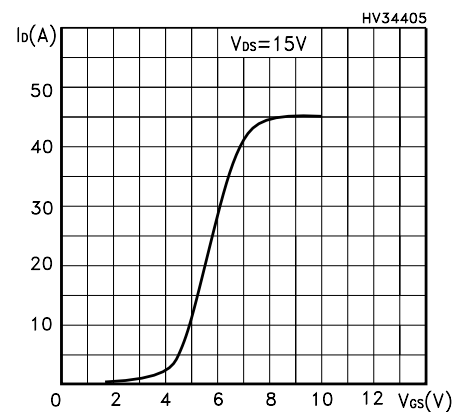
**Table 7. Source-drain diode**

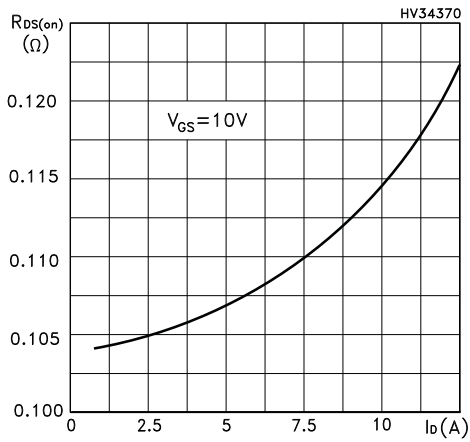
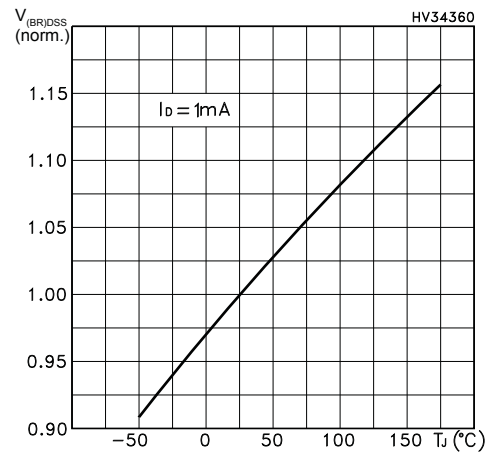
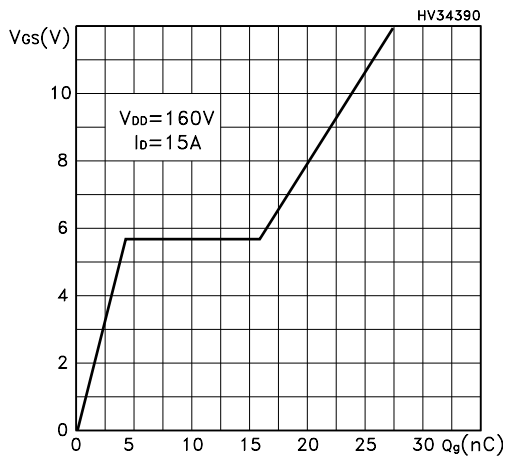
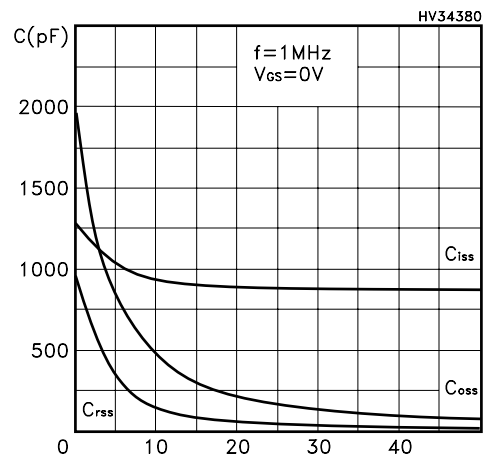
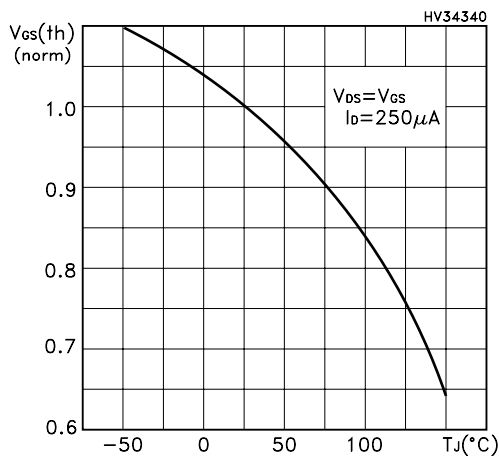
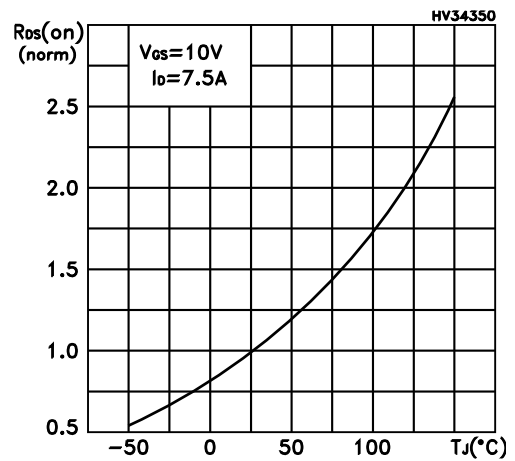
Symbol	Parameter	Test conditions	Min.	Typ.	Max.	Unit
$I_{\text{SD}}$	Source-drain current		-		15	A
$I_{\text{SDM}}^{(1)}$	Source-drain current (pulsed)		-		60	A
$V_{\text{SD}}^{(2)}$	Forward on voltage	$I_{\text{SD}} = 15\text{ A}$ , $V_{\text{GS}} = 0\text{ V}$	-		1.6	V

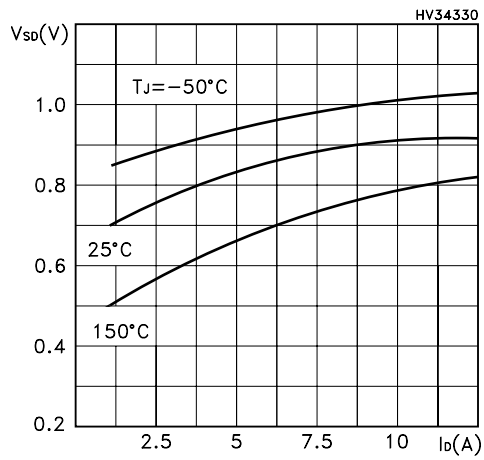
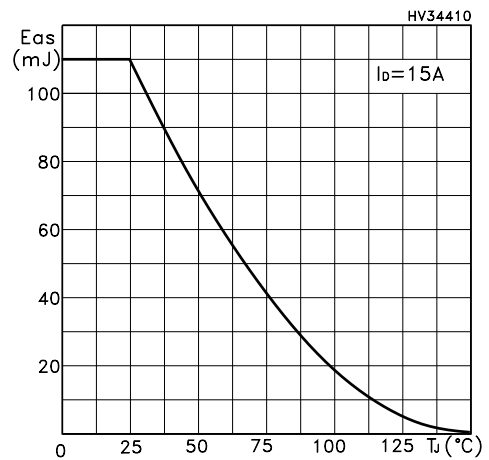
Symbol	Parameter	Test conditions	Min.	Typ.	Max.	Unit
$t_{rr}$	Reverse recovery time	$I_{SD} = 15 \text{ A}$ , $di/dt = 100 \text{ A}/\mu\text{s}$ , $V_{DD} = 50 \text{ V}$ (see Figure 17. Test circuit for inductive load switching and diode recovery times)	-	125		ns
$Q_{rr}$	Reverse recovery charge		-	0.55		$\mu\text{C}$
$I_{RRM}$	Reverse recovery current		-	8.8		A
$t_{rr}$	Reverse recovery time	$I_{SD} = 15 \text{ A}$ , $di/dt = 100 \text{ A}/\mu\text{s}$ , $V_{DD} = 50 \text{ V}$ , $T_j = 150 \text{ }^\circ\text{C}$ (see Figure 17. Test circuit for inductive load switching and diode recovery times)	-	148		ns
$Q_{rr}$	Reverse recovery charge		-	0.73		$\mu\text{C}$
$I_{RRM}$	Reverse recovery current		-	9.9		A

1. Pulse width is limited by safe operating area.
2. Pulse test: pulse duration = 300  $\mu\text{s}$ , duty cycle 1.5%.

## 2.1 Electrical characteristics (curves)

**Figure 1. Safe operating area for D<sup>2</sup>PAK, DPAK and TO-220**

**Figure 2. Thermal impedance for D<sup>2</sup>PAK, DPAK and TO-220**

**Figure 3. Safe operating area for TO-220FP**

**Figure 4. Thermal impedance for TO-220FP**

**Figure 5. Output characteristics**

**Figure 6. Transfer characteristics**


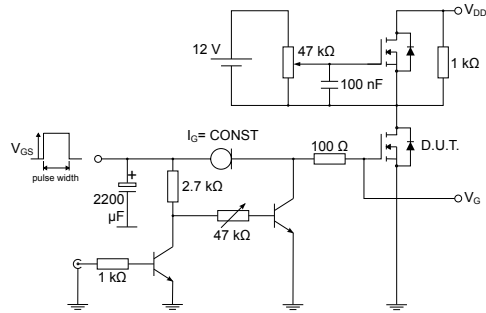
**Figure 7. Static drain-source on-resistance**

**Figure 8. Normalized  $V_{(BR)DSS}$  vs temperature**

**Figure 9. Gate charge vs gate-source voltage**

**Figure 10. Capacitance variations**

**Figure 11. Normalized gate threshold voltage vs temperature**

**Figure 12. Normalized on-resistance vs temperature**


**Figure 13. Source-drain diode forward characteristics**

**Figure 14. Maximum avalanche energy vs temperature**


### 3 Test circuits

**Figure 15. Test circuit for resistive load switching times**


AM01468v1

**Figure 16. Test circuit for gate charge behavior**


AM01469v1

**Figure 17. Test circuit for inductive load switching and diode recovery times**


AM01470v1

**Figure 18. Unclamped inductive load test circuit**


AM01471v1

**Figure 19. Unclamped inductive waveform**


AM01472v1

**Figure 20. Switching time waveform**


AM01473v1



## 4 Ordering information

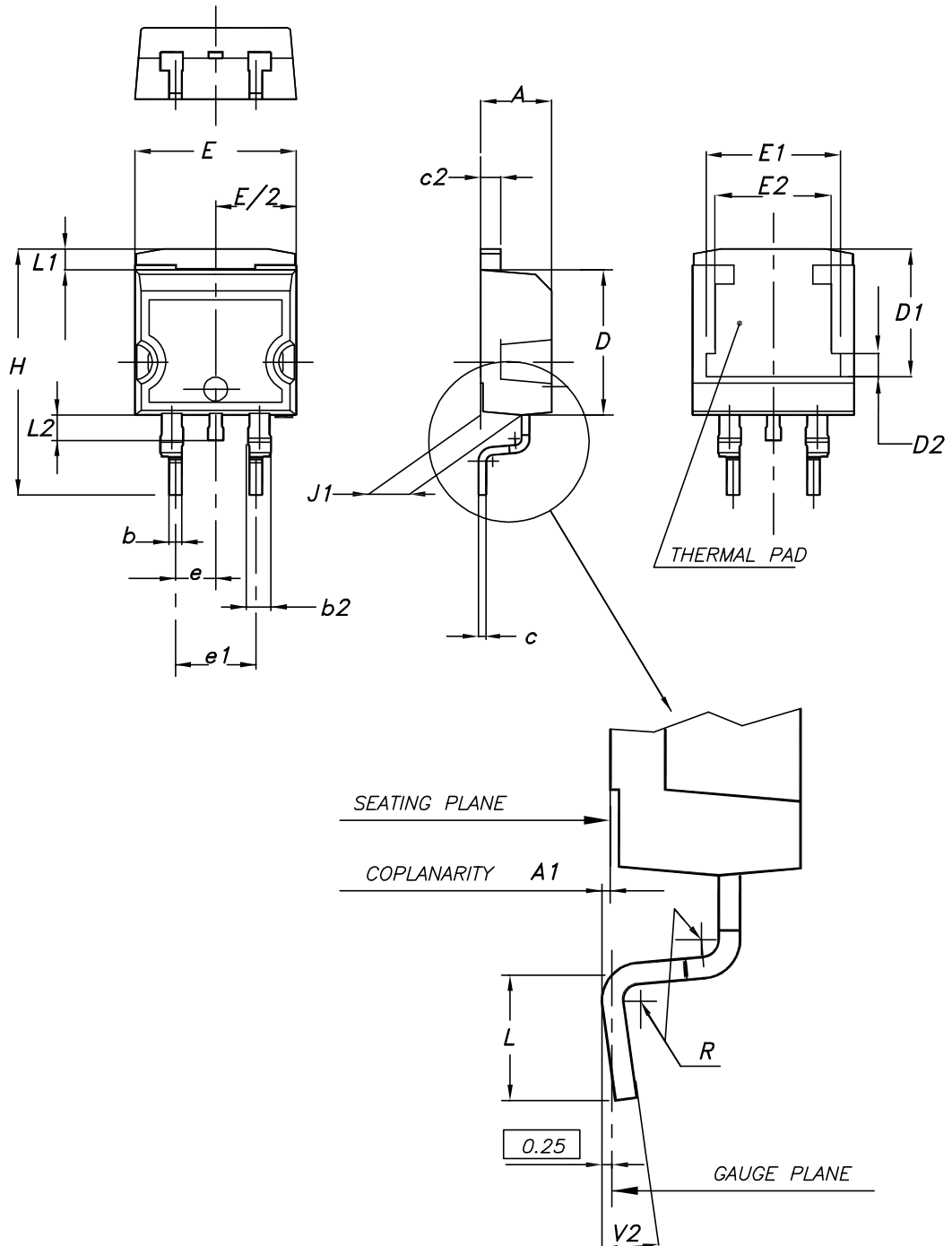
**Table 8. Order codes**

Order code	Marking	Package	Packing
STB19NF20	19NF20	D <sup>2</sup> PAK	Tape and reel
STD19NF20		DPAK	
STF19NF20		TO-220FP	Tube
STP19NF20		TO-220	

## **5 Package information**

---

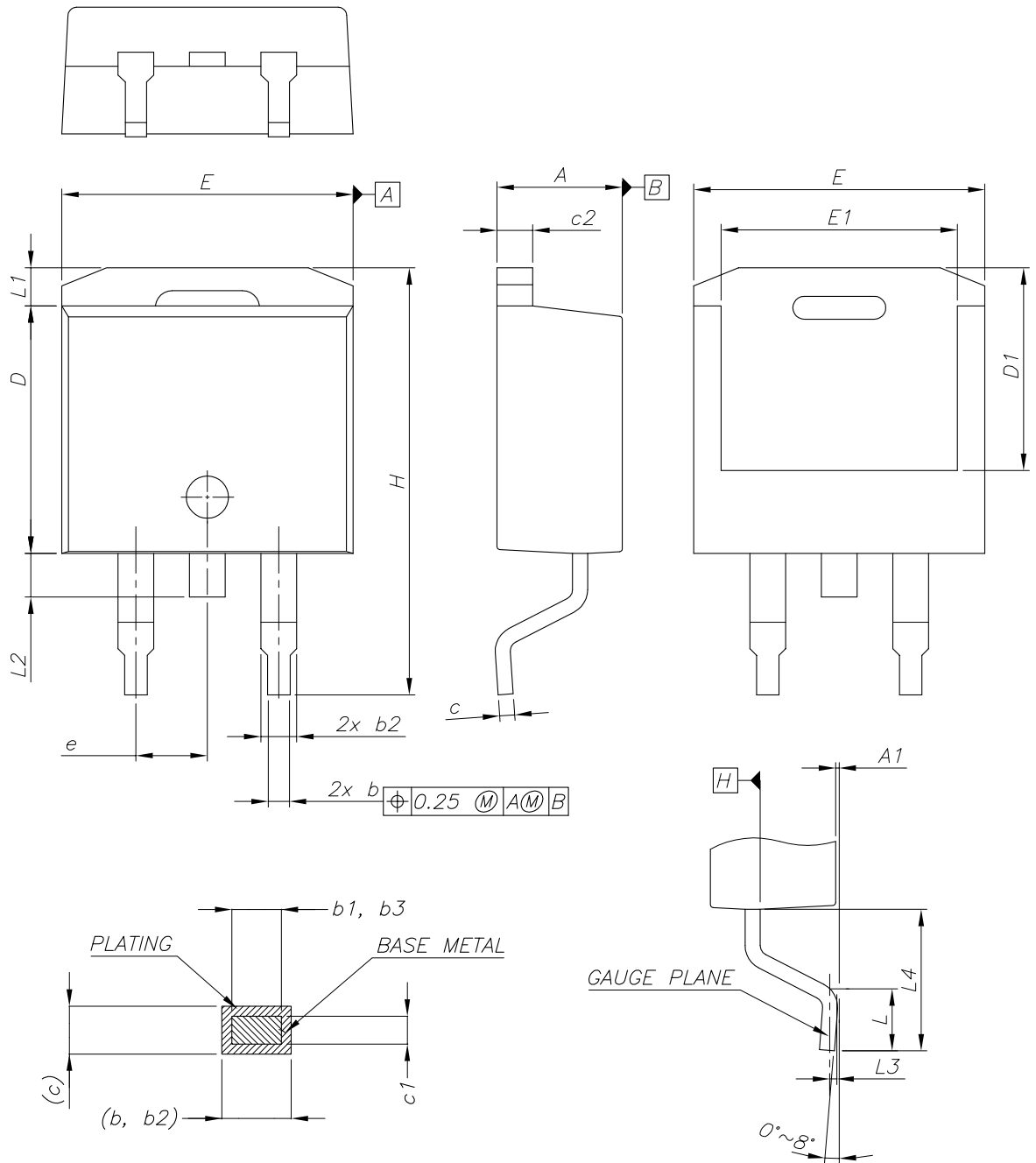
In order to meet environmental requirements, ST offers these devices in different grades of ECOPACK® packages, depending on their level of environmental compliance. ECOPACK® specifications, grade definitions and product status are available at: [www.st.com](http://www.st.com). ECOPACK® is an ST trademark.

**5.1 D<sup>2</sup>PAK (TO-263) type A package information**
**Figure 21. D<sup>2</sup>PAK (TO-263) type A package outline**


0079457\_25

**Table 9. D<sup>2</sup>PAK (TO-263) type A package mechanical data**

Dim.	mm		
	Min.	Typ.	Max.
A	4.40		4.60
A1	0.03		0.23
b	0.70		0.93
b2	1.14		1.70
c	0.45		0.60
c2	1.23		1.36
D	8.95		9.35
D1	7.50	7.75	8.00
D2	1.10	1.30	1.50
E	10.00		10.40
E1	8.30	8.50	8.70
E2	6.85	7.05	7.25
e		2.54	
e1	4.88		5.28
H	15.00		15.85
J1	2.49		2.69
L	2.29		2.79
L1	1.27		1.40
L2	1.30		1.75
R		0.40	
V2	0°		8°

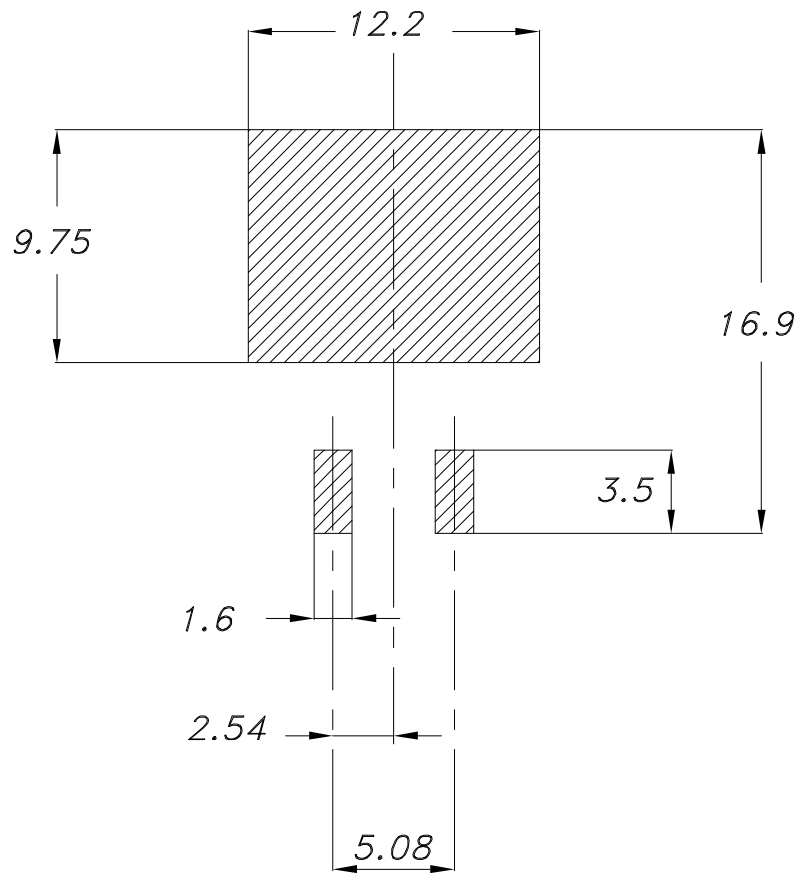
**5.2 D<sup>2</sup>PAK (TO-263) type B package information**
**Figure 22. D<sup>2</sup>PAK (TO-263) type B package outline**


0079457\_25\_B

**Table 10. D<sup>2</sup>PAK (TO-263) type B mechanical data**

Dim.	mm		
	Min.	Typ.	Max.
A	4.36		4.56
A1	0		0.25
b	0.70		0.90
b1	0.51		0.89
b2	1.17		1.37
b3	1.36		1.46
c	0.38		0.694
c1	0.38		0.534
c2	1.19		1.34
D	8.60		9.00
D1	6.90		7.50
E	10.15		10.55
E1	8.10		8.70
e	2.54 BSC		
H	15.00		15.60
L	1.90		2.50
L1			1.65
L2			1.78
L3		0.25	
L4	4.78		5.28

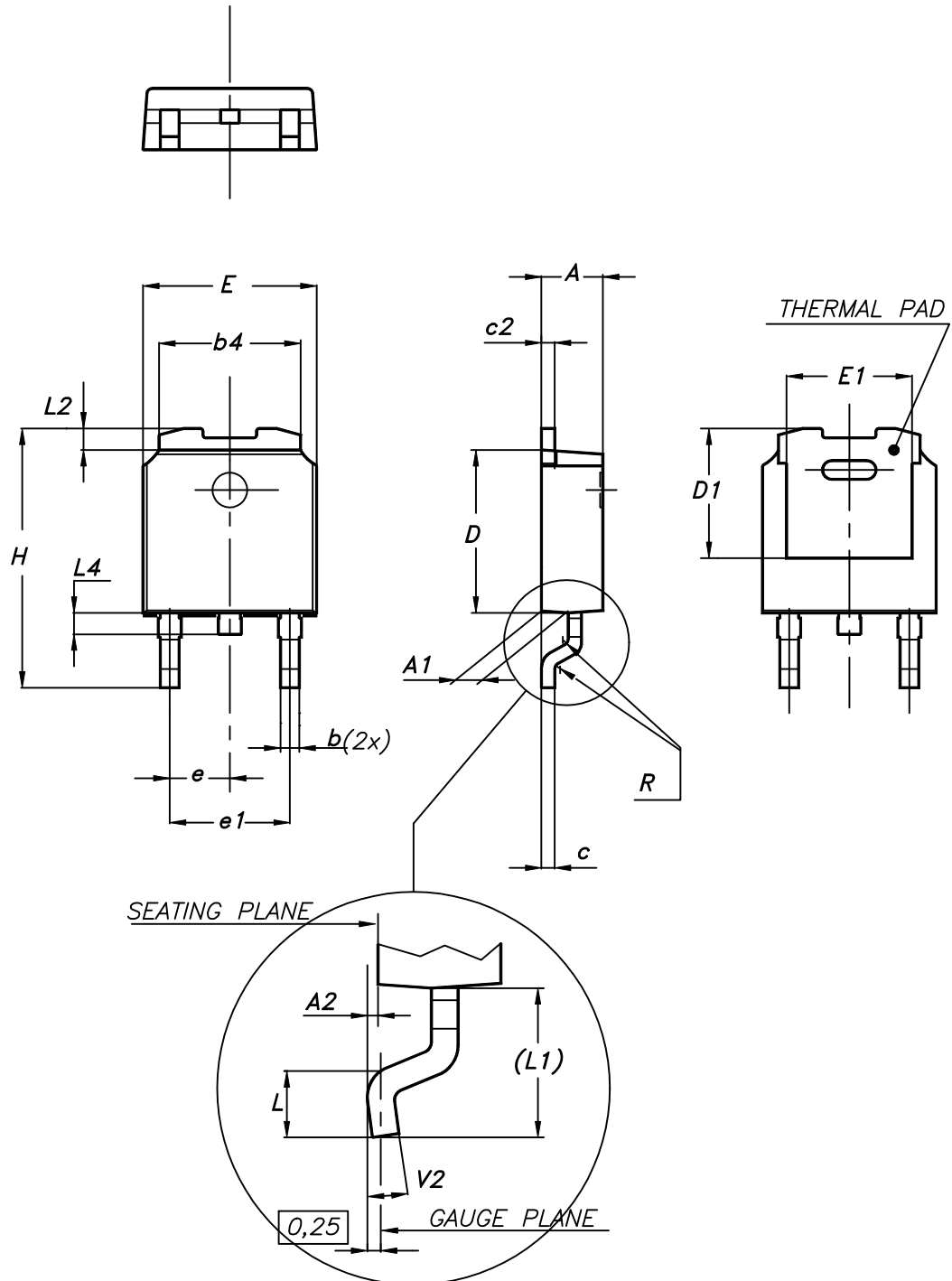
Figure 23. D<sup>2</sup>PAK (TO-263) recommended footprint (dimensions are in mm)



Footprint

**5.3 DPAK (TO-252) type A2 package information**

Figure 24. DPAK (TO-252) type A2 package outline



0068772\_type-A2\_rev25

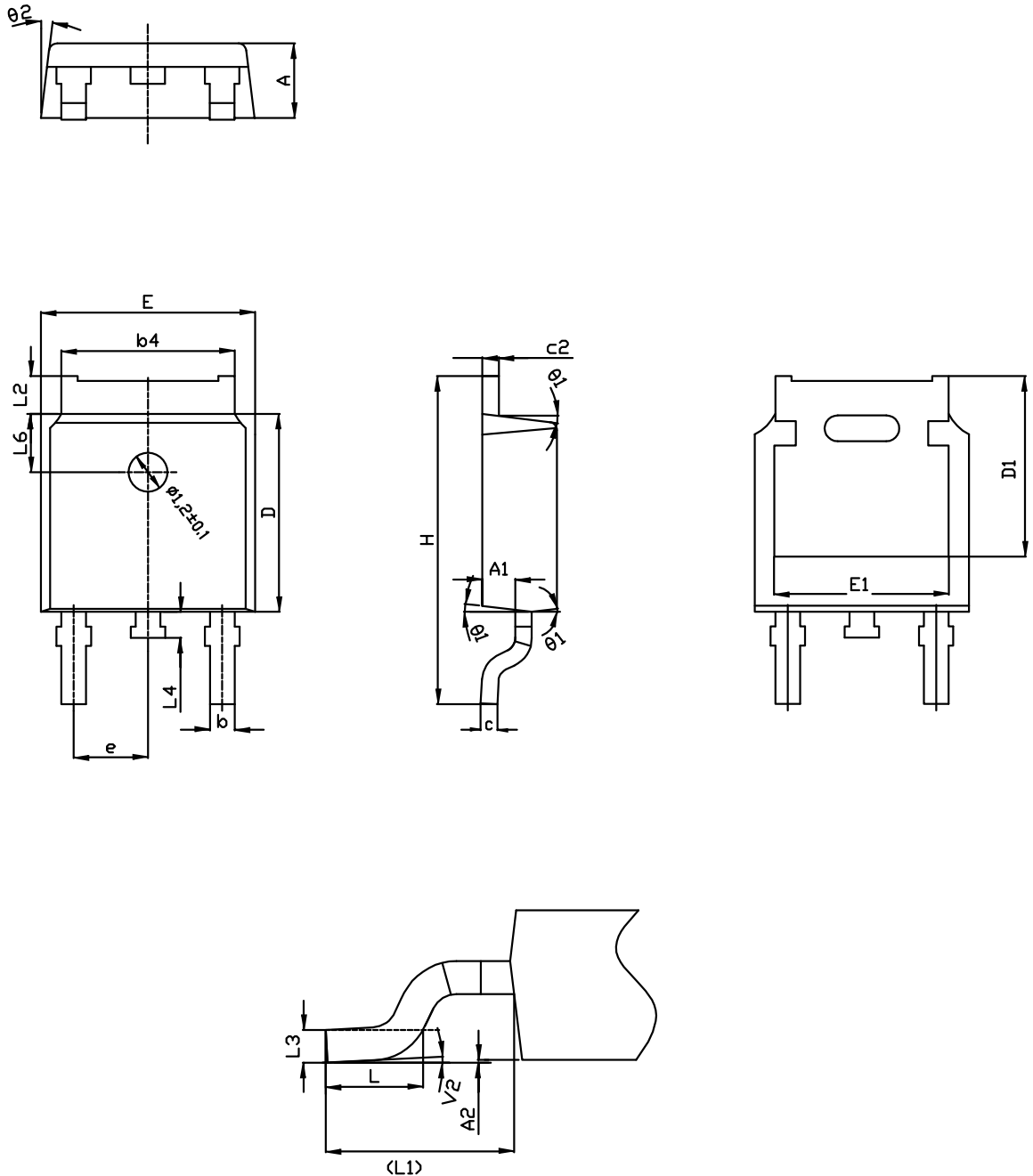


**Table 11. DPAK (TO-252) type A2 mechanical data**

Dim.	mm		
	Min.	Typ.	Max.
A	2.20		2.40
A1	0.90		1.10
A2	0.03		0.23
b	0.64		0.90
b4	5.20		5.40
c	0.45		0.60
c2	0.48		0.60
D	6.00		6.20
D1	4.95	5.10	5.25
E	6.40		6.60
E1	5.10	5.20	5.30
e	2.159	2.286	2.413
e1	4.445	4.572	4.699
H	9.35		10.10
L	1.00		1.50
L1	2.60	2.80	3.00
L2	0.65	0.80	0.95
L4	0.60		1.00
R		0.20	
V2	0°		8°

## 5.4 DPAK (TO-252) type C2 package information

Figure 25. DPAK (TO-252) type C2 package outline

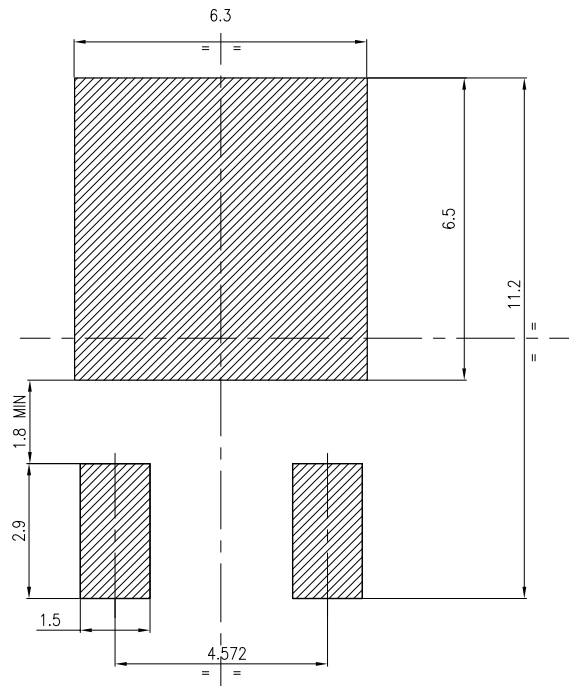


0068772\_C2\_25

**Table 12. DPAK (TO-252) type C2 mechanical data**

Dim.	mm		
	Min.	Typ.	Max.
A	2.20	2.30	2.38
A1	0.90	1.01	1.10
A2	0.00		0.10
b	0.72		0.85
b4	5.13	5.33	5.46
c	0.47		0.60
c2	0.47		0.60
D	6.00	6.10	6.20
D1	5.10		5.60
E	6.50	6.60	6.70
E1	5.20		5.50
e	2.186	2.286	2.386
H	9.80	10.10	10.40
L	1.40	1.50	1.70
L1	2.90 REF		
L2	0.90		1.25
L3	0.51 BSC		
L4	0.60	0.80	1.00
L6	1.80 BSC		
θ1	5°	7°	9°
θ2	5°	7°	9°
V2	0°		8°

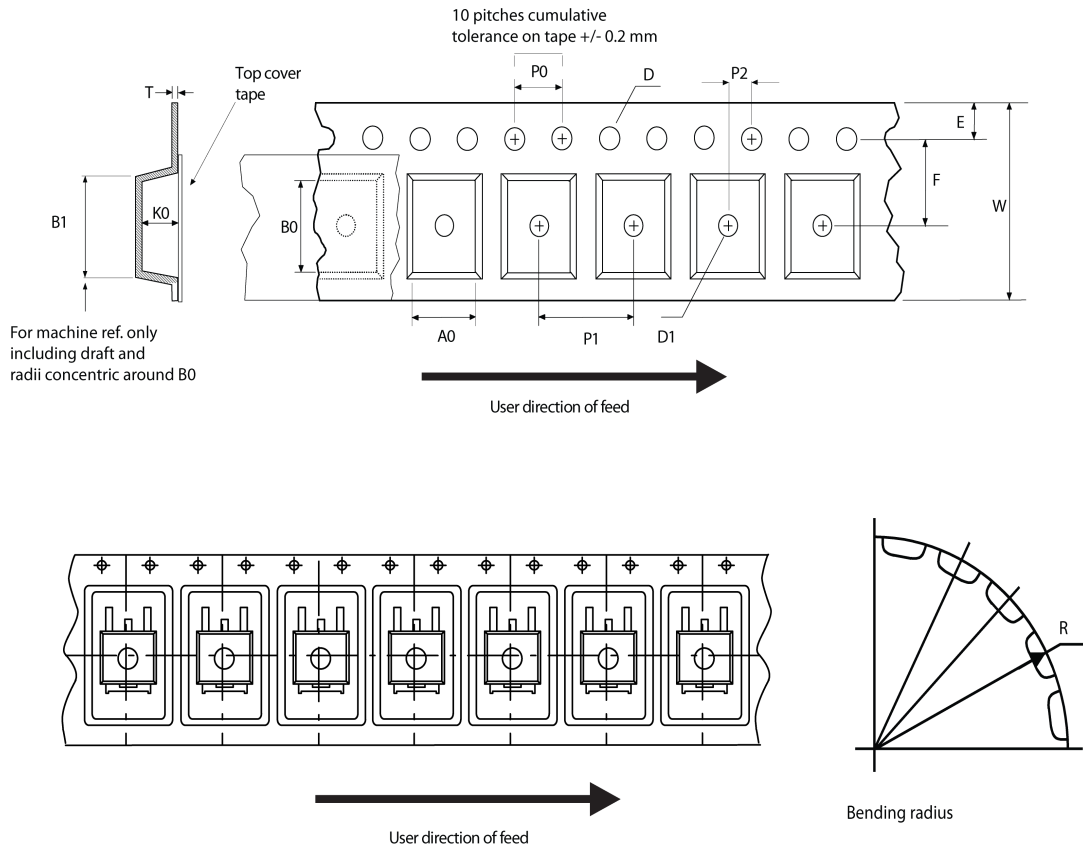
Figure 26. DPAK (TO-252) recommended footprint (dimensions are in mm)



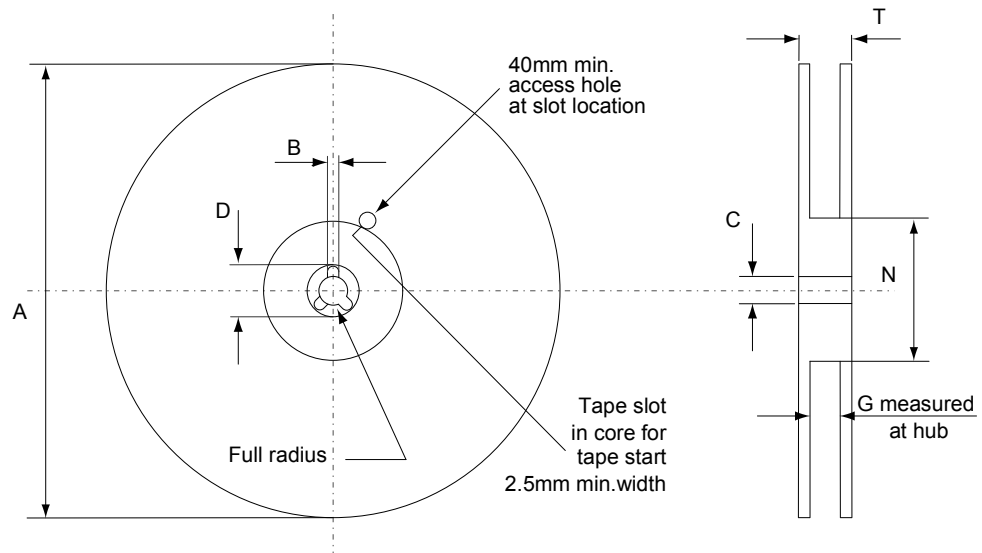
FP\_0068772\_25

## 5.5 D<sup>2</sup>PAK and DPAK packing information

Figure 27. Tape outline



AM08852v1

**Figure 28. Reel outline**


AM06038v1

**Table 13. D<sup>2</sup>PAK tape and reel mechanical data**

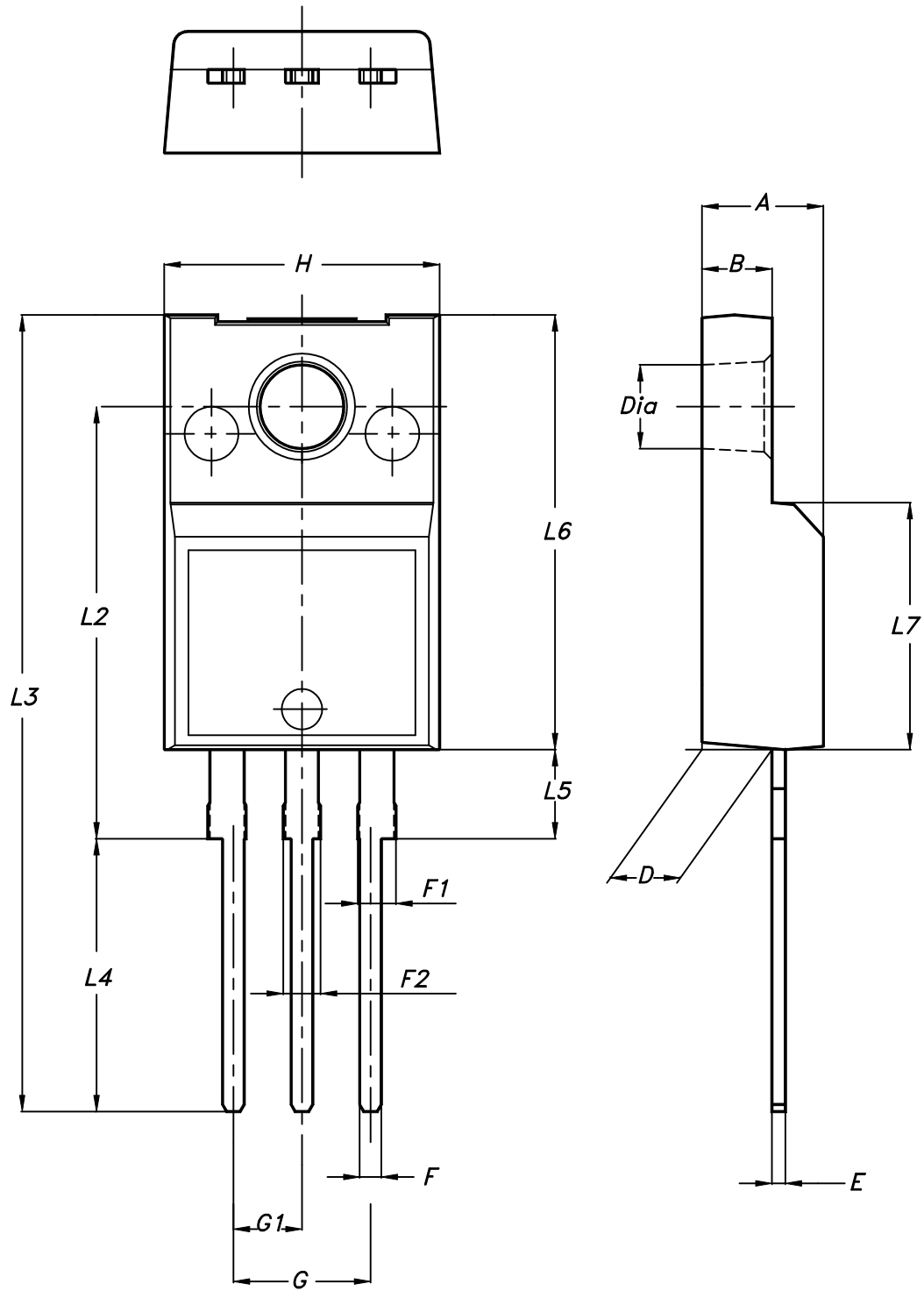
Tape			Reel			
Dim.	mm		Dim.	mm		
	Min.	Max.		Min.	Max.	
A0	10.5	10.7	A		330	
B0	15.7	15.9	B	1.5		
D	1.5	1.6	C	12.8	13.2	
D1	1.59	1.61	D	20.2		
E	1.65	1.85	G	24.4	26.4	
F	11.4	11.6	N	100		
K0	4.8	5.0	T		30.4	
P0	3.9	4.1	Base quantity Bulk quantity			
P1	11.9	12.1				1000
P2	1.9	2.1				1000
R	50					
T	0.25	0.35				
W	23.7	24.3				

**Table 14. DPAK tape and reel mechanical data**

Tape			Reel		
Dim.	mm		Dim.	mm	
	Min.	Max.		Min.	Max.
A0	6.8	7	A		330
B0	10.4	10.6	B	1.5	
B1		12.1	C	12.8	13.2
D	1.5	1.6	D	20.2	
D1	1.5		G	16.4	18.4
E	1.65	1.85	N	50	
F	7.4	7.6	T		22.4
K0	2.55	2.75			
P0	3.9	4.1	Base qty.		2500
P1	7.9	8.1	Bulk qty.		2500
P2	1.9	2.1			
R	40				
T	0.25	0.35			
W	15.7	16.3			

5.6 TO-220FP package information

Figure 29. TO-220FP package outline

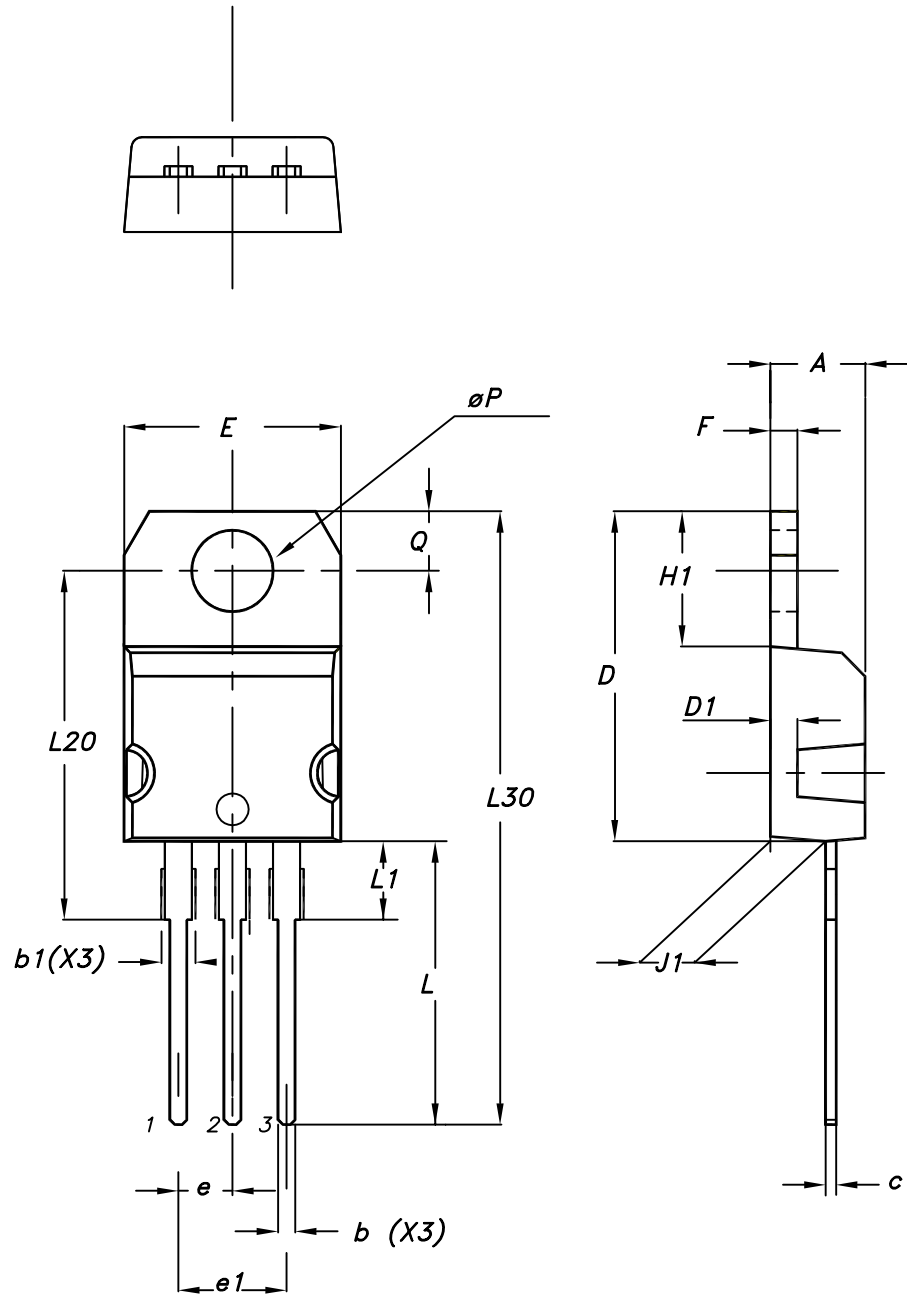


7012510\_Rev\_12\_B



**Table 15. TO-220FP package mechanical data**

Dim.	mm		
	Min.	Typ.	Max.
A	4.4		4.6
B	2.5		2.7
D	2.5		2.75
E	0.45		0.7
F	0.75		1
F1	1.15		1.70
F2	1.15		1.70
G	4.95		5.2
G1	2.4		2.7
H	10		10.4
L2		16	
L3	28.6		30.6
L4	9.8		10.6
L5	2.9		3.6
L6	15.9		16.4
L7	9		9.3
Dia	3		3.2

**5.7 TO-220 type A package information**
**Figure 30. TO-220 type A package outline**


0015988\_typeA\_Rev\_21

**Table 16. TO-220 type A package mechanical data**

Dim.	mm		
	Min.	Typ.	Max.
A	4.40		4.60
b	0.61		0.88
b1	1.14		1.55
c	0.48		0.70
D	15.25		15.75
D1		1.27	
E	10.00		10.40
e	2.40		2.70
e1	4.95		5.15
F	1.23		1.32
H1	6.20		6.60
J1	2.40		2.72
L	13.00		14.00
L1	3.50		3.93
L20		16.40	
L30		28.90	
øP	3.75		3.85
Q	2.65		2.95

## Revision history

**Table 17. Document revision history**

Date	Version	Changes
13-Oct-2006	1	First release.
17-Nov-2006	2	Part number has been modified.
02-Feb-2007	3	Preliminary version.
16-Feb-2007	4	TO-220FP package has been added.
15-Oct-2012	5	Updated <i>Section 4: Package information</i> and <i>Section 4: Package information</i> . Minor text changes.
16-Apr-2015	6	Throughout document: – added DPAK package information – text and formatting updates Updated <i>Figure 1: Internal schematic diagram</i> Updated <i>Table 2: Absolute maximum ratings</i> Updated <i>Table 3: Thermal data</i> Updated and renamed <i>Table 5: Static</i> (was On/off states)
09-Aug-2018	7	Removed maturity status indication from cover page. The document status is production data. Updated <a href="#">Table 5. Dynamic</a> . Updated <a href="#">Section 5 Package information</a> . Minor text changes

## Contents

<b>1</b>	<b>Electrical ratings</b> .....	<b>2</b>
<b>2</b>	<b>Electrical characteristics</b> .....	<b>3</b>
<b>2.1</b>	Electrical characteristics (curves) .....	5
<b>3</b>	<b>Test circuits</b> .....	<b>8</b>
<b>4</b>	<b>Ordering information</b> .....	<b>9</b>
<b>5</b>	<b>Package information</b> .....	<b>10</b>
<b>5.1</b>	D <sup>2</sup> PAK (TO-263) type A package information .....	10
<b>5.2</b>	D <sup>2</sup> PAK (TO-263) type B package information .....	12
<b>5.3</b>	DPAK (TO-252) type A2 package information .....	15
<b>5.4</b>	DPAK (TO-252) type C2 package information .....	17
<b>5.5</b>	D <sup>2</sup> PAK and DPAK packing information .....	20
<b>5.6</b>	TO-220FP package information .....	23
<b>5.7</b>	TO-220 type A package information .....	25
	<b>Revision history</b> .....	<b>28</b>

**IMPORTANT NOTICE – PLEASE READ CAREFULLY**

STMicroelectronics NV and its subsidiaries (“ST”) reserve the right to make changes, corrections, enhancements, modifications, and improvements to ST products and/or to this document at any time without notice. Purchasers should obtain the latest relevant information on ST products before placing orders. ST products are sold pursuant to ST’s terms and conditions of sale in place at the time of order acknowledgement.

Purchasers are solely responsible for the choice, selection, and use of ST products and ST assumes no liability for application assistance or the design of Purchasers’ products.

No license, express or implied, to any intellectual property right is granted by ST herein.

Resale of ST products with provisions different from the information set forth herein shall void any warranty granted by ST for such product.

ST and the ST logo are trademarks of ST. All other product or service names are the property of their respective owners.

Information in this document supersedes and replaces information previously supplied in any prior versions of this document.

© 2018 STMicroelectronics – All rights reserved

# Mouser Electronics

Authorized Distributor

Click to View Pricing, Inventory, Delivery & Lifecycle Information:

[STMicroelectronics:](#)

[STP19NF20](#) [STB19NF20](#) [STF19NF20](#)