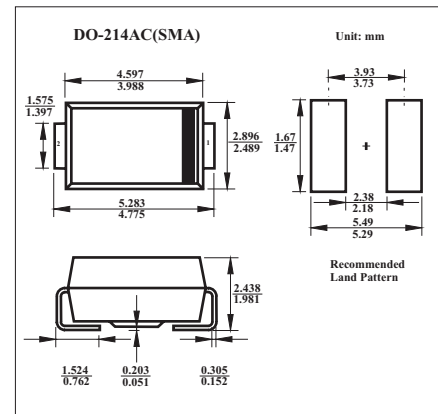


1A Rectifier Diodes

1N4001-1N4007

■ Features

- Diffused Junction
- High Current Capability and Low Forward Voltage Drop
- Surge Overload Rating to 30A Peak
- Low Reverse Leakage Current



■ Maximum Ratings and Electrical Characteristics @ Ta = 25°C

Parameter	Symbol	Rating							Unit
		1N4001	1N4002	1N4003	1N4004	1N4005	1N4006	1N4007	
Peak Repetitive Reverse Voltage	V _{RRM}								V
Working Peak Reverse Voltage	V _{RMS}	50	100	200	400	600	800	1000	
DC Blocking Voltage	V _{DC}								
RMS Reverse Voltage	V _{R(RMS)}	35	70	140	280	420	560	700	V
Average Rectified Output Current @TA = 75°C	I _o	1.0							A
Non-Repetitive Peak Forward Surge Current, 8.3ms Single Half Sine-wave Superimposed on Rated Load (JEDEC method)	I _{FSM}	30							A
DC Blocking Voltage @ TA = 100°C	I _{RM}	50							μ A
Forward Voltage @ I _F = 1.0A	V _{FM}	1.0							V
Typical Junction Capacitance	C _J	15							pF
Typical Thermal Resistance Junction to Ambient	R _{θJA}	100							K/W
Maximum DC Blocking Voltage Temperature	T _A	+150							°C
Operating and Storage Temperature Range	T _J , T _{STG}	-65 to +175							°C

■ Marking

Part NO.	1N4001	1N4002	1N4003	1N4004	1N4005	1N4006	1N4007
Marking	S1	S2	S3	S4	S5	S6	S7