

Z Series — Low Profile Unfiltered Modular Jack

Z Series



UL Recognized



Shield 3
RJ11

Shield 4
RJ45

Z Series

Unfiltered low profile jack in RJ11 and RJ45 models. Shielded and unshielded models available.

Part Numbers

RJ11-6Z	RJ45-8Z
RJ11-6Z3	RJ45-8Z3
RJ11-6Z4	RJ45-8Z4

Specifications

Contacts:

Material:	Phosphor Bronze
Plating:	50 microinches gold
Barrier underplating:	100 microinches nickel
Resistance:	
Initial:	20 milliohms max.
After durability testing: (500 mating cycles)	30 milliohms max.

PCB Terminals:

Solderability	60/40
---------------	-------

Shield Material:

Tin-plated phosphor bronze

Housing Material:

Black glass-filled polyester
(Valox 457)

Dielectric Withstanding Voltage:

Line-to-line and line-to-ground	1000 VAC for 60 seconds
---------------------------------	----------------------------

Printed Circuit Board Retention:

Before soldering:	1 lb. minimum
After soldering:	20 lb. minimum

Model dimensions and PC board layout on pages 170 to 174.

Electrónica S.A. de C.V.

Signal Line Products

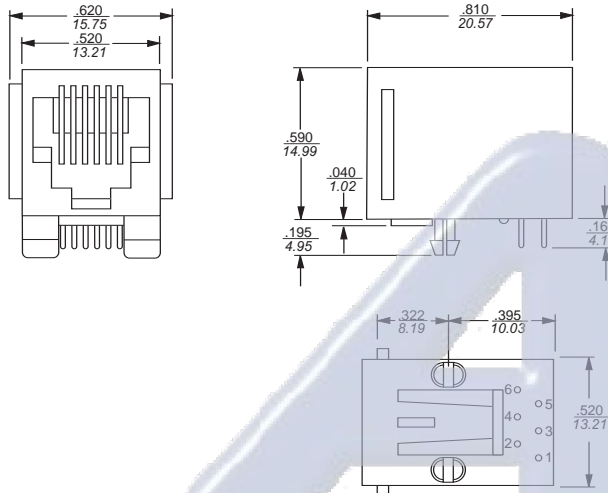
CORCOM Product Guide

Model Dimensions

Standard Profile RJ Jack Dimensions

For the L, LC, LCT and X Series of RJ Jack Filters

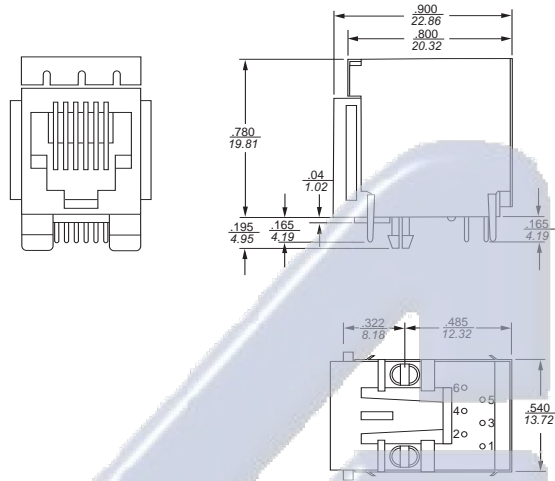
RJ11 (No Shield)



Part Numbers

- | | | |
|-----------|-----------|---------|
| RJ11-2L-S | RJ11-2L-B | RJ11-2X |
| RJ11-4L-S | RJ11-4L-B | RJ11-4X |
| RJ11-6L-S | RJ11-6L-B | RJ11-6X |

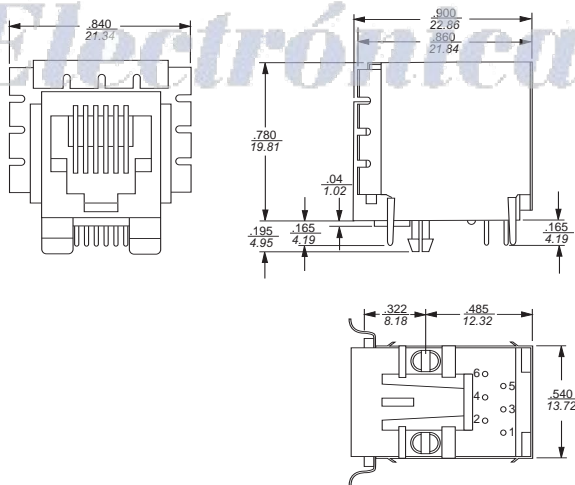
RJ11 (Style 2 Shield)



Part Numbers

- | | | | |
|-------------|-------------|------------|--------------|
| RJ11-2LC2-S | RJ11-2LC2-B | RJ11-4L2-S | RJ11-6L2-B |
| RJ11-4LC2-S | RJ11-4LC2-B | RJ11-6L2-S | RJ11-6LCT2-S |
| RJ11-6LC2-S | RJ11-6LC2-B | RJ11-4L2-B | RJ11-6LCT2-B |

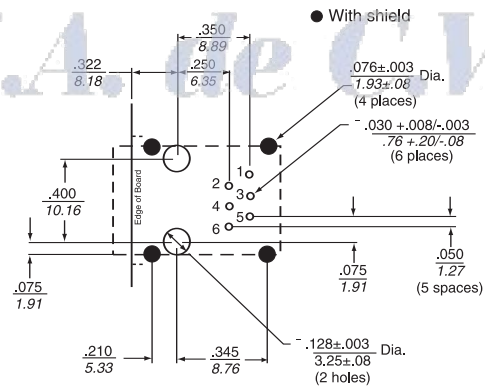
RJ11 (Style 1 Shield)



Part Numbers

- | | | | |
|-------------|-------------|------------|--------------|
| RJ11-2LC1-S | RJ11-2LC1-B | RJ11-4L1-S | RJ11-6L1-B |
| RJ11-4LC1-S | RJ11-4LC1-B | RJ11-6L1-S | RJ11-6LCT1-S |
| RJ11-6LC1-S | RJ11-6LC1-B | RJ11-4L1-B | RJ11-6LCT1-B |

RJ11 (PC Board Layout)



Shown from Component Side

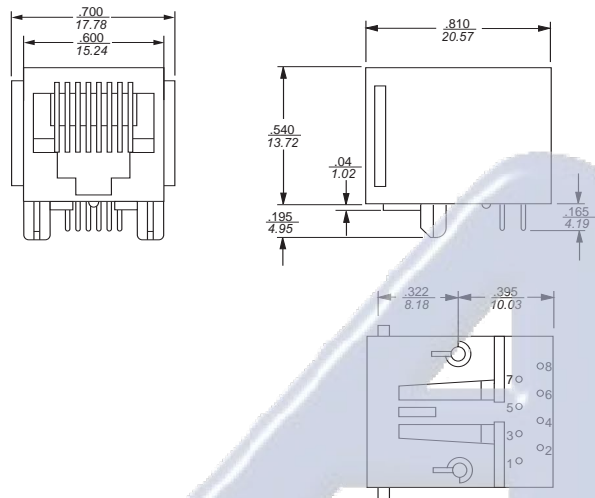
For all RJ11 L, LC, LCT and X Series Models

Model Dimensions (Continued)

Standard Profile RJ Jack Dimensions (cont'd)

For the L, LC, LCT and X Series of RJ Jack Filters

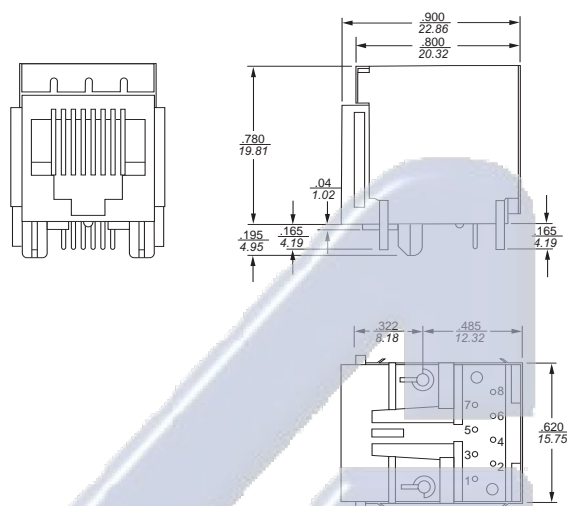
RJ45 (No Shield)



Part Numbers
 RJ45-6L-S
 RJ45-8L-S
 RJ45-6L-B

RJ45-8L-B
 RJ45-6X
 RJ45-8X

RJ45 (Style 2 Shield)



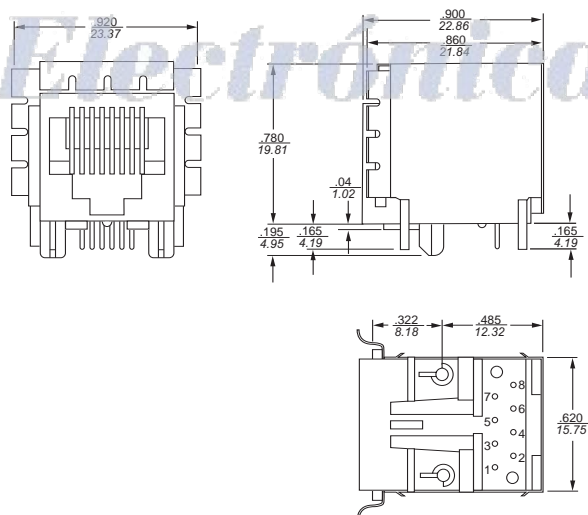
Part Numbers
 RJ45-6LC2-S
 RJ45-6L2-S
 RJ45-8LCT2-S

RJ45-8LC2-S
 RJ45-8L2-S
 RJ45-8LCT2-B

RJ45-6LC2-B
 RJ45-6L2-B

RJ45-8LC2-B
 RJ45-8L2-B

RJ45 (Style 1 Shield)

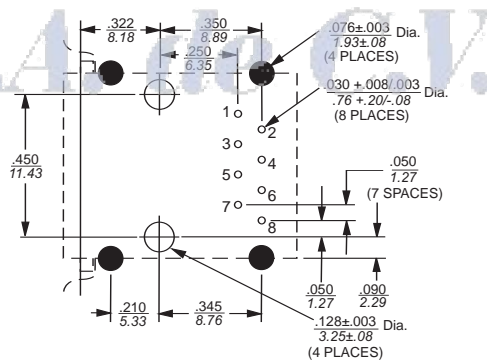


Part Numbers
 RJ45-6LC1-S
 RJ45-6L1-S
 RJ45-8LCT1-S

RJ45-8LC1-S
 RJ45-8L1-S
 RJ45-8LCT1-B

RJ45-6LC1-B
 RJ45-6L1-B
 RJ45-8LC1-B
 RJ45-8L1-B

RJ45 (PC Board Layout)



Shown from Component Side

For all RJ45 L, LC, LCT and X Series Models.

Part Numbers
 RJ45-6LC2-S
 RJ45-6L2-S
 RJ45-8LCT2-B

RJ45-8LC2-S
 RJ45-8L2-S
 RJ45-8LCT2-S

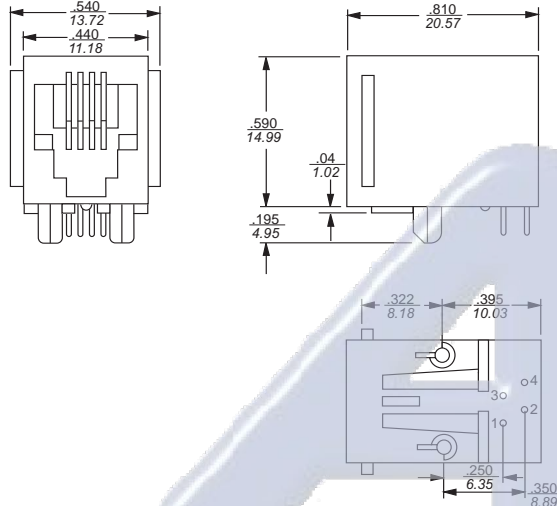
RJ45-6LC2-B
 RJ45-6L2-B

RJ45-8LC2-B
 RJ45-8L2-B

Model Dimensions (Continued)

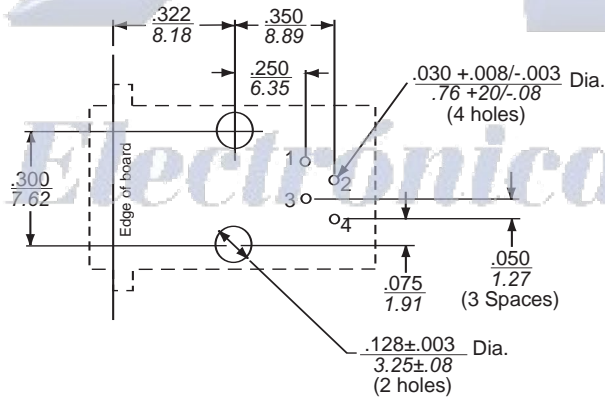
Standard Profile RJ Jack Dimensions (cont'd)
For the L, LC, LCT and X Series of RJ Jack Filters

RJH (No Shield)



Part Numbers
RJH-4-L-B

RJH (No Shield - PC Board Layout)

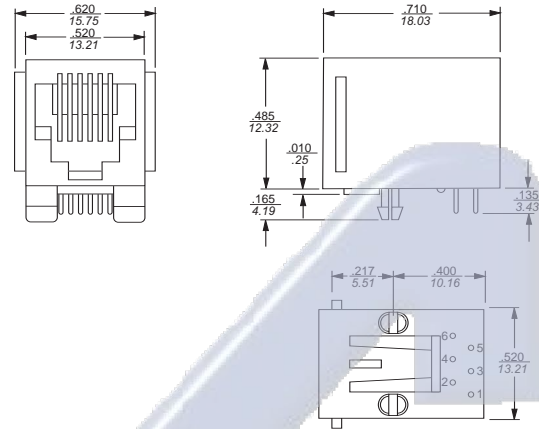


Shown from Component Side

All tolerances ±0.010 [0.25] unless otherwise noted.

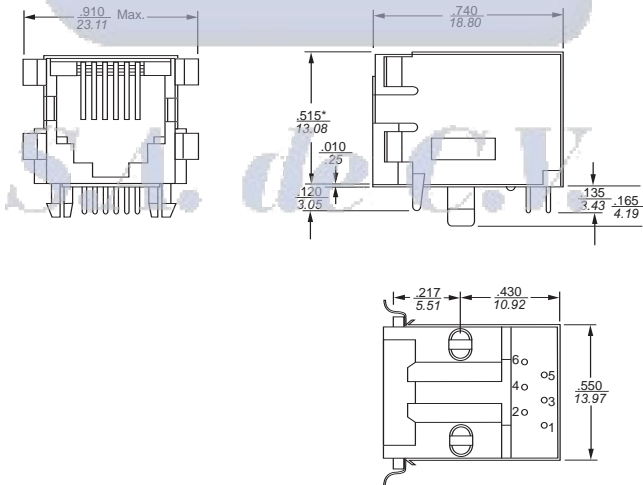
Low Profile RJ Jack Dimensions
For the N and Z Series of RJ Jack Filters

RJ11 (Low Profile - No Shield)



Part Numbers
RJ11-6N-B RJ11-6N-S RJ11-6Z

RJ11 Low Profile (Style 3 Shield)



Part Numbers
RJ11-6N3-B RJ11-6N3-S RJ11-6Z3

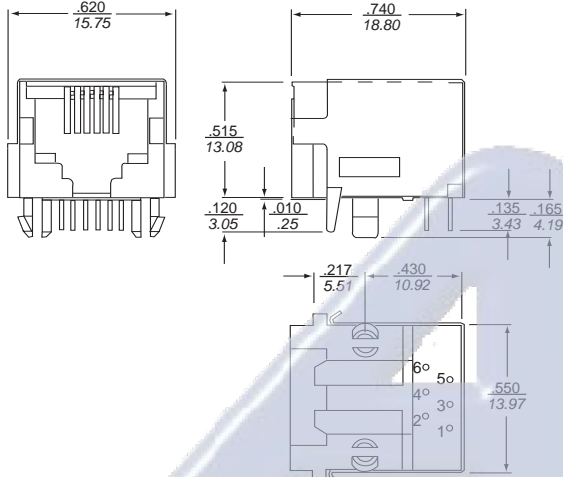
*To top of shield

Model Dimensions (Continued)

Low Profile RJ Jack Dimensions (cont'd)

For the N and Z Series of RJ Jack Filters

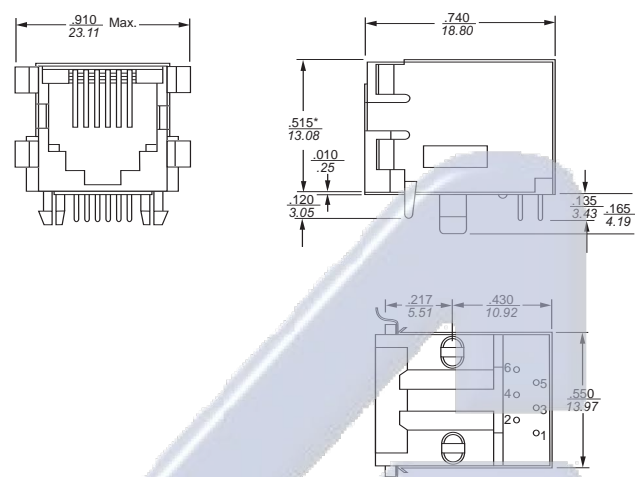
RJ11 Low Profile (Style 4 Shield)



Part Numbers

RJ11-6N4-B RJ11-6N4-S RJ11-6Z4

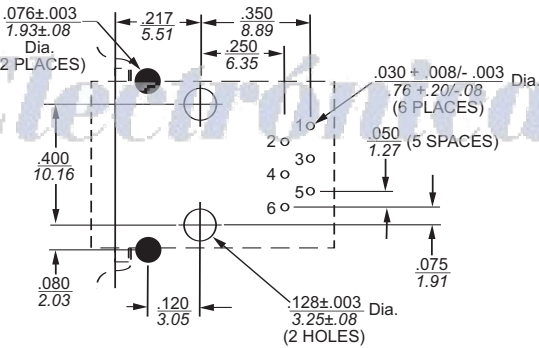
RJ45 Low Profile (No Shield)



Part Numbers

RJ11-6N3-B RJ11-6N3-S RJ11-6Z3

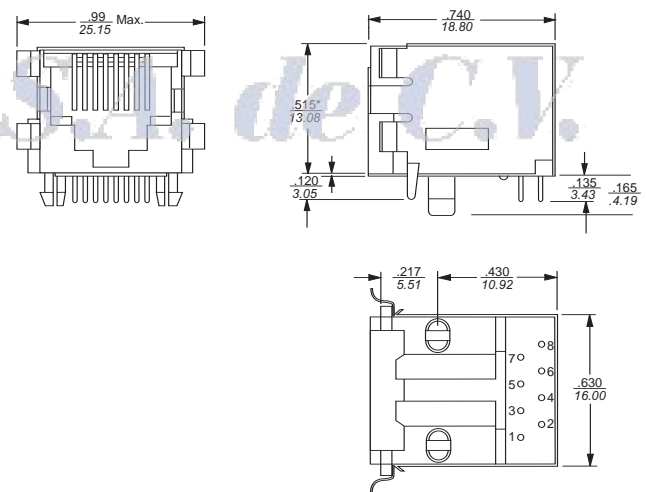
RJ11 Low Profile (PC Board Layout)



Shown from Component Side

For all RJ11 N and Z Series Models

RJ45 Low Profile (Style 3 Shield)



Part Numbers

RJ45-8N3-B RJ45-8N3-S RJ45-8Z3

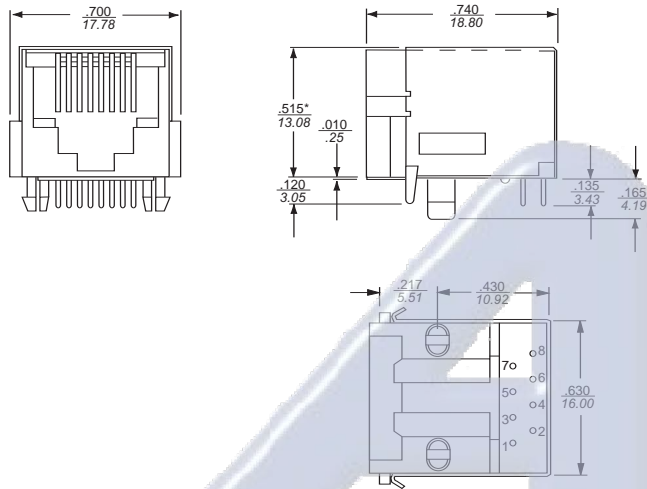
*To top of shield

Model Dimensions (Continued)

Low Profile RJ Jack Dimensions (cont'd)

For the N and Z Series of RJ Jack Filters

RJ45 Low Profile (Style 4 Shield)



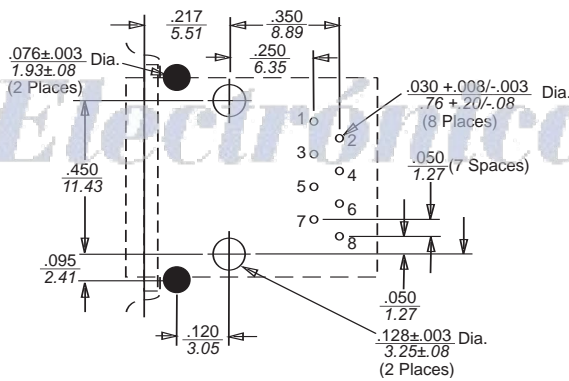
Part Numbers
RJ45-8N4-B

RJ45-8N4-S

RJ45-8Z4

*To top of shield

RJ45 Low Profile (PC Board Layout)



Shown from Component Side

For all RJ45 N and Z Series Models
All tolerances ± 0.010 [0.25] unless otherwise noted.