

SPECIFICATION OF LCD MODULE

CUSTOMER 客户名称	
PART NO. 产品型号	JHD521Y/JG
PRODUCTS TYPE 产品内容	
REMARKS 备注	
SIGNATURE BY CUSTOMER 客户签署:	

		
---	---	---

深圳市晶汉达电子有限公司

07年07月10日

LCM System

1 LCD Type

STN FSTN DFSTN

2 Viewing Angle

Lower 6:00 Upper 12:00 Others

3 Display Mode

Yellow Green positive Blue Negative Grey positive
 FSTN positive FSTN negative

4 Polarizer Mode

Reflective Transflective Transmissive

5 Connector

Pin Heat sealed Zebra

6 Thickness of Glass

1.1mm 0.4mm
 0.55mm 0.7mm

7 Backlight Mode:

LED CCFL

8 Backlight Color

Blue Brilliant Green Yellow Green
 Red White Without backlight

9 Temperature Grade

Normal temperature Wide temperature Super wide temperature

•REVISION RECORD

REV. NO.	REV. DATE	DESCRIPTION OF REVISION	PAGE	REMARK
1.0	01/03/08	INITIAL RELEASE	ALL	

CONTENTS

1.	FEATURES	5
2.	MECHANICAL SPEC	5
3.	ABSOLUTE MAXIMUM RATING	6
4.	ELECTRICAL CHARACTERISTICS	6
5.	ELECTRO-OPTICAL CHARACTERISTICS	8
6.	BLOCK DIAGRAM	9
7.	POWER SUPPLY	9
8.	TIMIING DIAGRAM	10
9.	INSTRUCTION SET	12
10.	INITIALIZATION SEQUENCE	13
11.	EXTERNAL DIMENSION	14
12.	INTERFACE	15
13.	PACKAGE INFORMATION.....	16
14.	QC/QA PROCEDURE	17
15.	RELIABILITY	18
16.	HANDING PRECAUTIONS.....	19

1. FEATURES

- Display construction..... 128*64 DOTS
- Display mode..... STN(Y/G)
- Display type..... Positive Transmissive
- Backlight..... LED(JG)/5.0V
- Viewing direction..... 6 o' clock
- Operating temperature..... -10 to 60 °C
- Storage temperature -20 to 70°C
- Driving voltage..... Single power
- Driving method..... 1/64 duty, 1/9 bias
- Type..... COB (Chip On Board)
- Controller/Drive IC..... KS0108/KS0107
- Number of data line..... 8-bit parallel
- Connector..... Pin

2. MECHANICAL DATA

ITEM		WIDTH	HEIGHT	THICKNESS	UNIT
Module size		113	65	10.5 (MAX)	mm
Active area		66.52	33.24	-	mm
Viewing area		82.0	42.0	-	mm
Dot	Size	0.48	0.48	-	mm
	Pitch	0.52	0.52	-	mm
Diameter of mounting hole		Φ 3.0			mm
Weight		About 200			g

3. ABSOLUTE MAXIMUM RATINGS

Item	Symbol	Value	Unit
Operating voltage	V _{DD}	-0.3 to +7.0	V
Supply Voltage	V _{EE}	V _{DD} -19.0 to V _{DD} +0.3	V
Driver Supply Voltage	V _B	-0.3 to V _{DD} +0.3	
	V _{LCD}	V _{EE} -0.3 to V _{DD} +0.3	V
Operating temperature	T _{OPR}	-10 to 60	°C
Storage temperature	T _{sto}	-20 to 70	°C

4. ELECTRICAL CHARACTERISTICS

(V_{DD} = +5V ± 10%, V_{SS} = 0V, V_{DD}-V_{EE} = 8 to 17V, T_a = -20 to 70 °C)

Characteristic	Symbol	Condition	Min	Typ	Max	Unit	Note
Input high voltage	V _{IH1}	–	0.7V _{DD}	–	V _{DD}	V	(1)
	V _{IH2}	–	2.0	–	V _{DD}	V	(2)
Input low voltage	V _{IL1}	–	0	–	0.3V _{DD}	V	(1)
	V _{IL2}	–	0	–	0.8	V	(2)
Output high voltage	V _{OH}	I _{OH} = -200μA	2.4	–	–	V	(3)
Output low voltage	V _{OL}	I _{OL} = 1.6mA	–	–	0.4	V	(3)
Input leakage current	I _{LKG}	V _{IN} = V _{SS} - V _{DD}	-1.0	–	1.0	μA	(4)
Three-state(off) input current	I _{TSL}	V _{IN} = V _{SS} - V _{DD}	-5.0	–	5.0	μA	(5)
Driver input leakage current	I _{DIL}	V _{IN} = V _{EE} - V _{DD}	-2.0	–	2.0	μA	(6)
Operating current	I _{DD1}	During display	–	–	100	μA	(7)
	I _{DD2}	During access Access cycle = 1MHz	–	–	500	μA	(7)
On resistance	R _{ON}	V _{DD} -V _{EE} = 15V I _{LOAD} = ± 0.1mA	–	–	7.5	KΩ	(8)

NOTES:

1. CL, FRM, M, RSTB, CLK1, CLK2
2. CS1B, CS2B, CS3, E, R/W, RS, DB0 - DB7
3. DB0 - DB7
4. Except DB0 - DB7
5. DB0 - DB7 at high impedance
6. V_{0L}(R), V_{2L}(R), V_{3L}(R), V_{5L}(R)
7. 1/64 duty, FCLK = 250kHz, frame frequency = 70HZ, output: no load
8. V_{DD} - V_{EE} = 15.5V
V_{0L}(R) > V_{2L}(R) = V_{DD} - 2/7 (V_{DD}-V_{EE}) > V_{3L}(R) = V_{EE} + 2/7 (V_{DD}-V_{EE}) > V_{5L}(R)

4.1 LED ELECTRICAL/OPTICAL CHARACTERISTICS

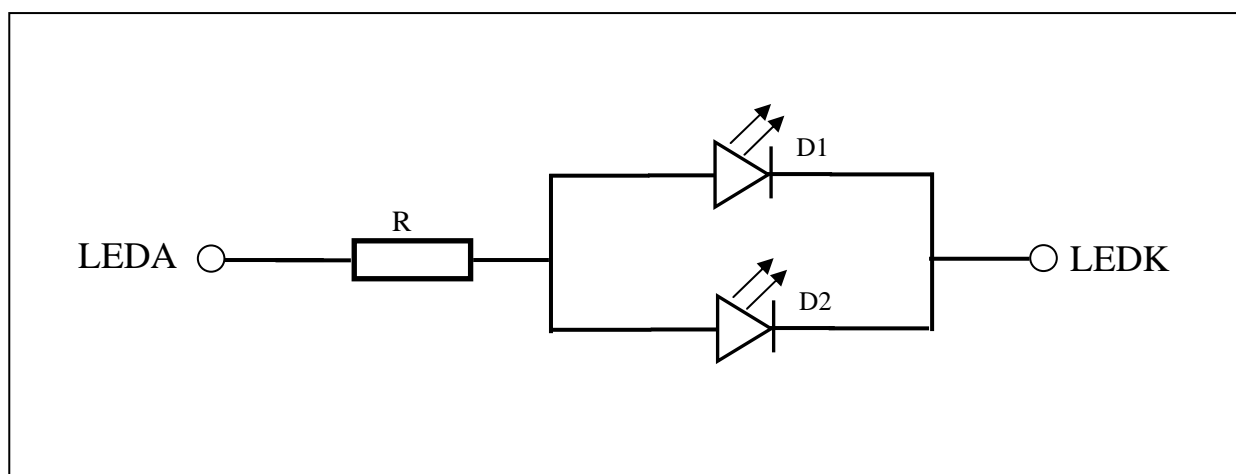
Item	Symbol	min	typ	max	Unit	Condition
Forward Voltage	V _f	4.8	5.0	5.2	V	I _f =40mA
Reverse Current	I _r	-	4	-	uA	V _r =10V
Dominant wave length	λ _d	520	-	535	nm	I _f =40mA
Spectral Line Half width	Δλ	-	35	-	-	I _f =40mA
Luminance	L _v	-	60	-	cd/m ²	I _f =40mA

4.2 LED ABSOLUTE MAXIMUM RATINGS

Item	Symbol	Condition	Rating	Unit
Reverse Voltage	V _r	T _a =25°C	10	V
Absolute maximum forward current	I _{fm}	T _a =25°C	50	mA
Power description	pd	T _a =25°C	250	mW

4.2.1 LED ARRAY BLOCK DIAGRAM

(LED DICE 2 dices)



4.2.2 LED POWER SOURCE

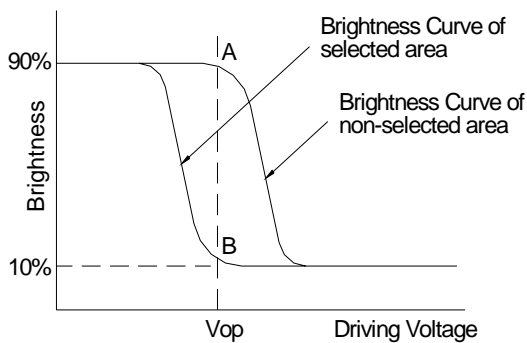
LED	Option	Power source	Jumper setting
	A	19A/20K	R9

5. ELECTRO-OPTICAL CHARACTERISTICS

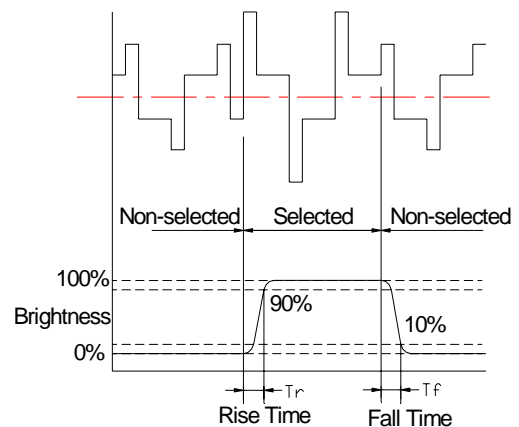
ITEM	SYMBOL	CONDITION	MIN.	TYP.	MAX.	UNIT	NOTE
Contrast ratio	K	$\phi = 0$	1.4	4	-	-	1
Response time (rise)	T_r	$\phi = 0$	-	250	300	ms	2
Response time (fall)	T_f	$\phi = 0$		250	350	ms	2
Viewing angle	ϕ	$K \geq 2.0$	-40 -- +40			deg.	3
	θ		-30 -- +30				

Note 1: Definition of Contrast Ratio “K”

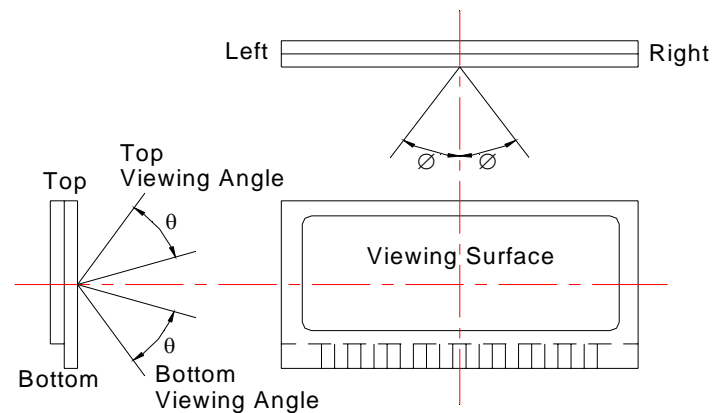
$$K = \frac{\text{Brightness of non-selected segment(A)}}{\text{Brightness of selected segment(B)}}$$



Note 2: Definition of Optical Response Time

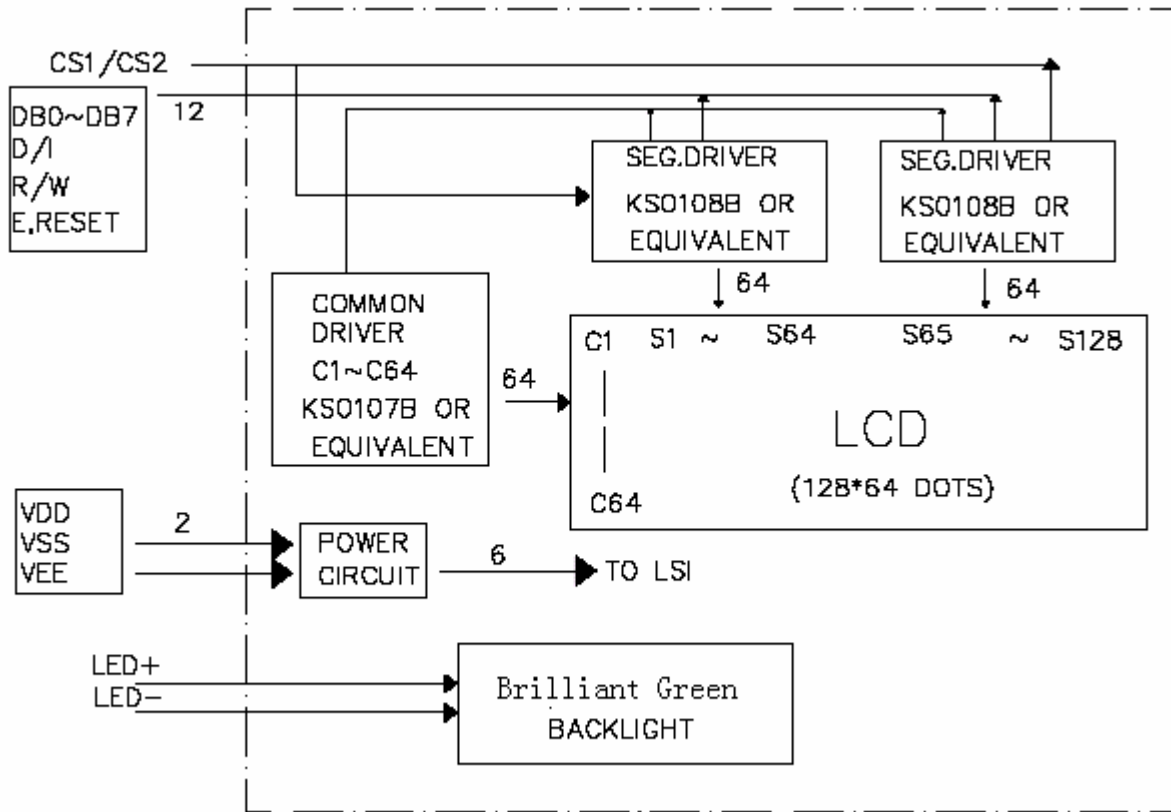


Note 3: Definition of Viewing Angle

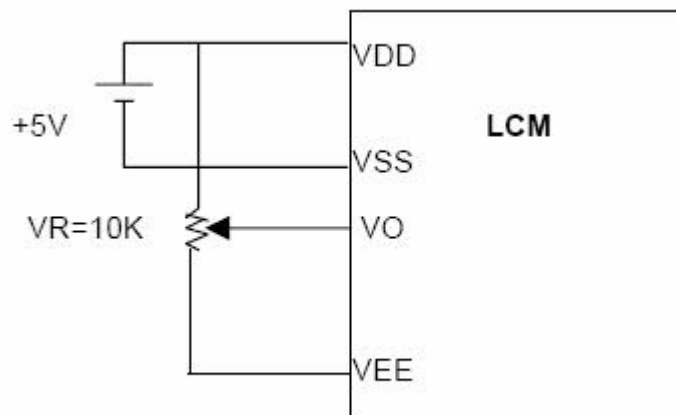


Please select either top or bottom viewing angle

6. BLOCK DIAGRAM



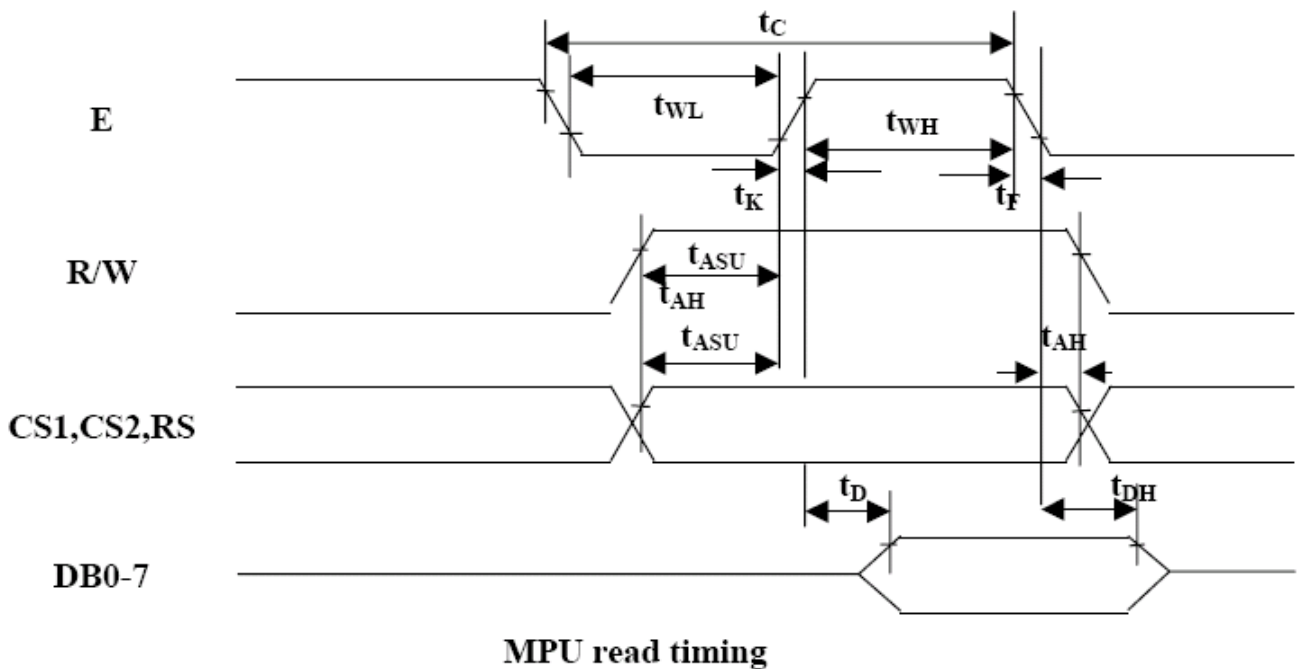
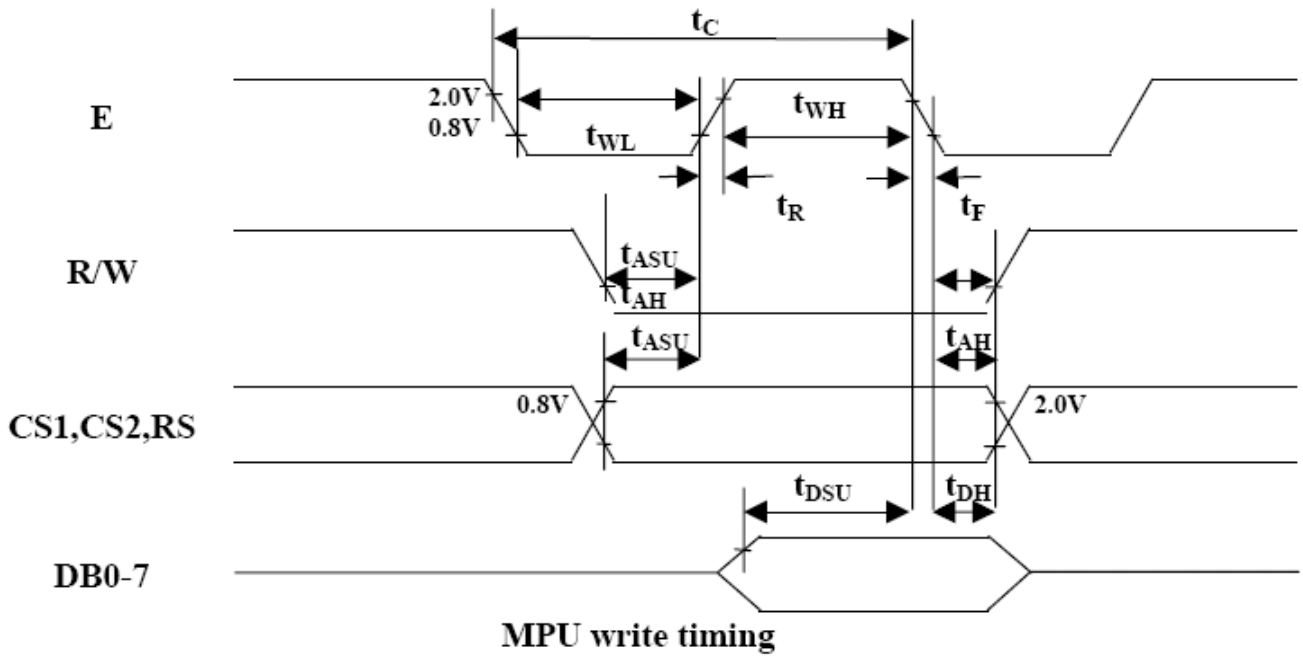
7. VOLTAGE REGULATOR CIRCUITS



8. TIMING DIAGRAM

MPU Interface

Characteristic	Symbol	Min	Typ	Max	Unit
E Cycle	t_C	1000	--	--	ns
E High Level Width	t_{WH}	450	--	--	ns
E Low Level Width	t_{WL}	450	--	--	ns
E Rise Time	t_R	--	--	25	ns
E Fall Time	t_F	--	--	25	ns
Address Set-Up Time	t_{ASU}	140	--	--	ns
Address Hold Time	t_{AH}	10	--	--	ns
Data Set-Up Time	t_{SU}	200	--	--	ns
Data Delay Time	t_D	--	--	320	ns
Data Hold Time (Write)	t_{DHW}	10	--	--	ns
Data Hold Time (Read)	t_{DHR}	20	--	--	ns



9. INSTRUCTION SET

DISPLAY CONTROL INSTRUCTION

The display control instructions control the internal state of the S6B0108. Instruction is received from MPU to S6B0108 for the display control. The following table shows various instructions.

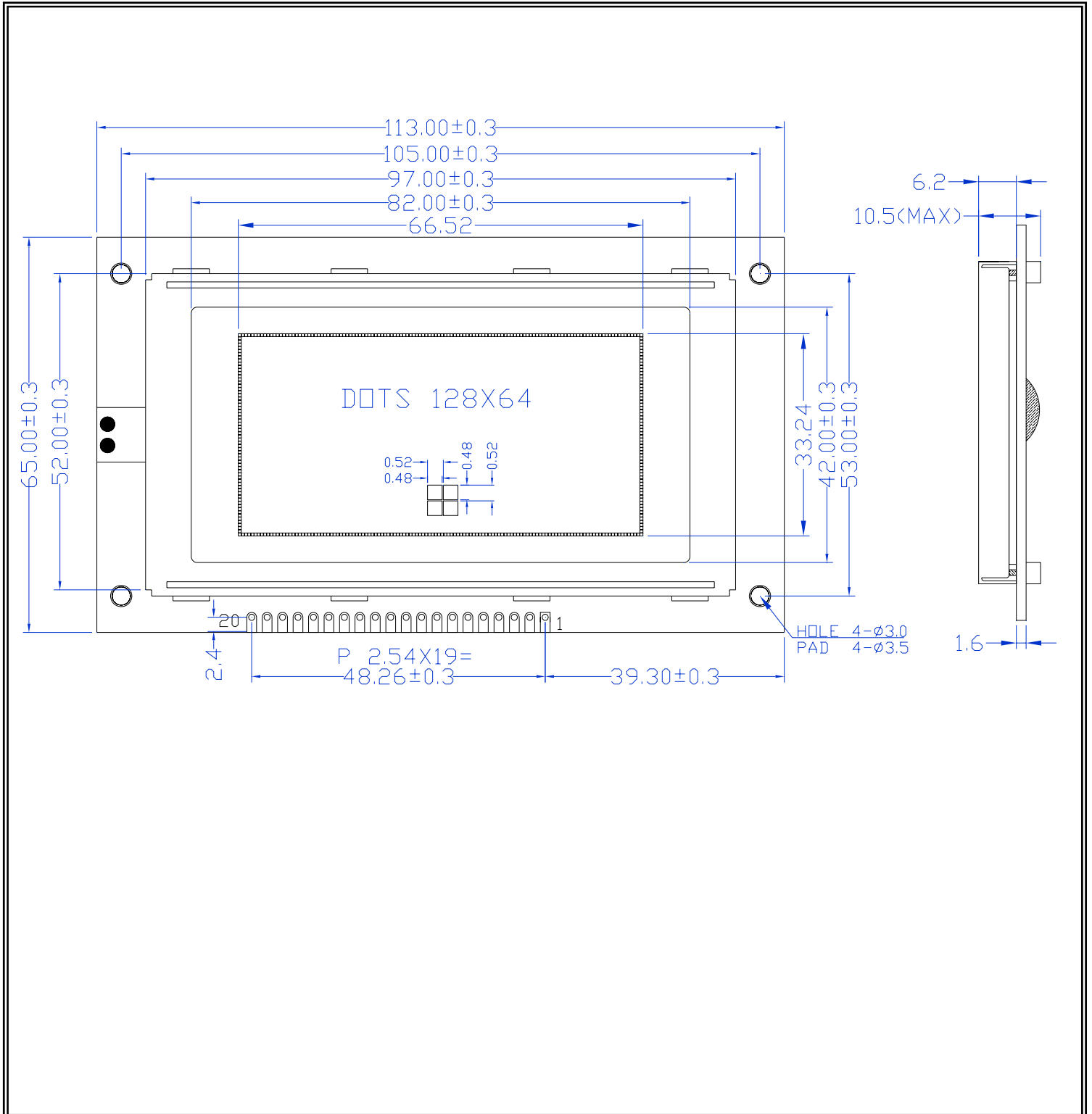
Instruction	RS	R/W	DB7	DB6	DB5	DB4	DB3	DB2	DB1	DB0	Function	
Display on/off	L	L	L	L	H	H	H	H	H	L/H	Controls the display on or off. Internal status and display RAM data is not affected. L: OFF, H: ON	
Set address (Y address)	L	L	L	H	Y address (0 - 63)						Sets the Y address in the Y address counter.	
Set page (X address)	L	L	H	L	H	H	H	Page (0 - 7)			Sets the X address at the X address register.	
Display start line (Z address)	L	L	H	H	Display start line (0 - 63)						Indicates the display data RAM displayed at the top of the screen.	
Status read	L	H	Busy	L	On/Off	Reset	L	L	L	L	Read status. BUSY L: Ready H: In operation ON/OFF L: Display ON H: Display OFF RESET L: Normal H: Reset	
Write display data	H	L	Write data									Writes data (DB0:7) into display data RAM. After writing instruction, Y address is increased by 1 automatically.
Read display data	H	H	Read data									Reads data (DB0:7) from display data RAM to the data bus.

10. INSTRUCTION SEQUENCE

INIT:

```
MOV A,#0C0H ;Display 0star line
LCALL WC1
LCALL WC2
MOV A,#3FH ;Display on
LCALL WC1
LCALL WC2
RET
```

11. EXTERNAL DIMENSION

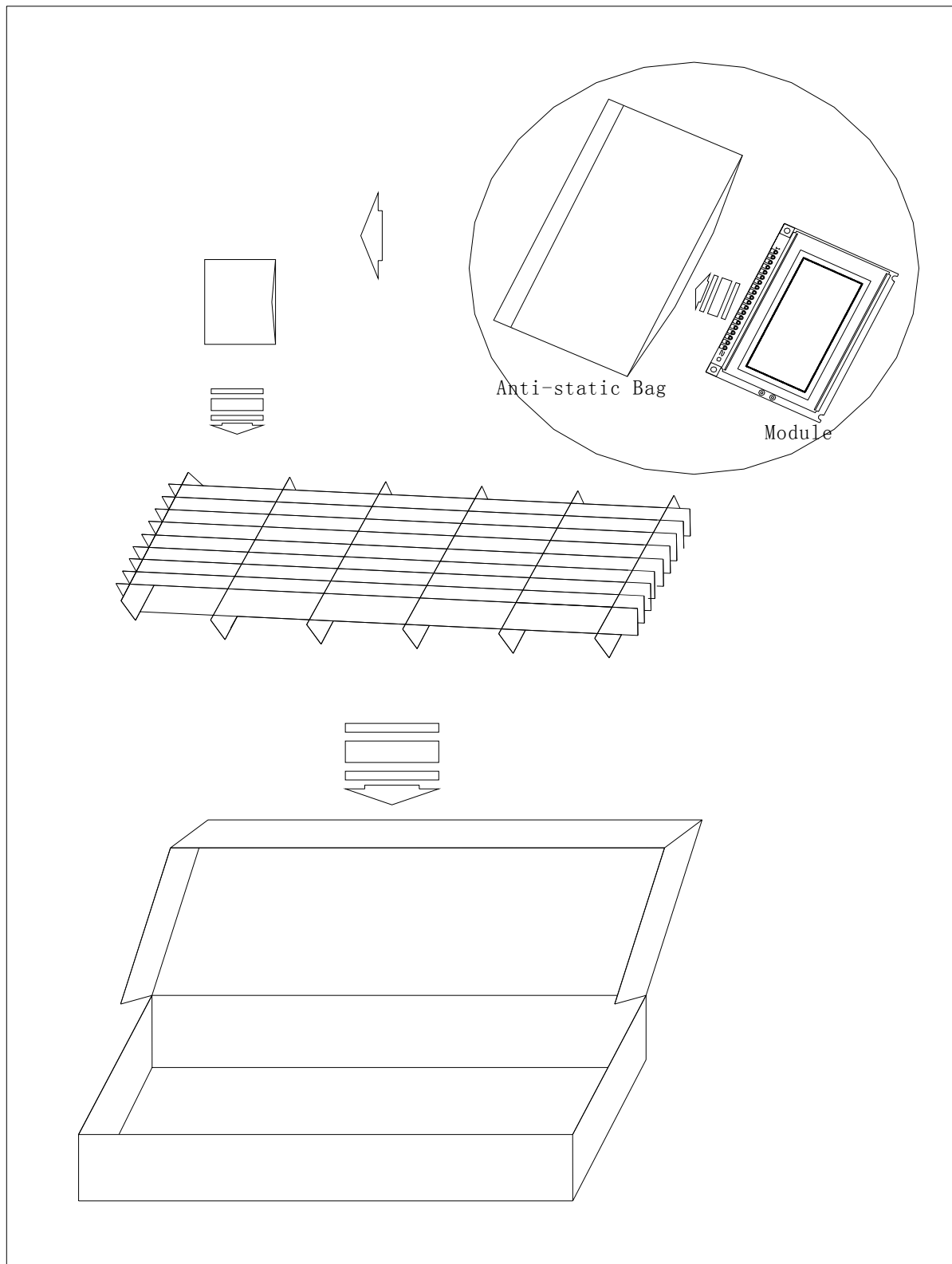


12.INTERFACE

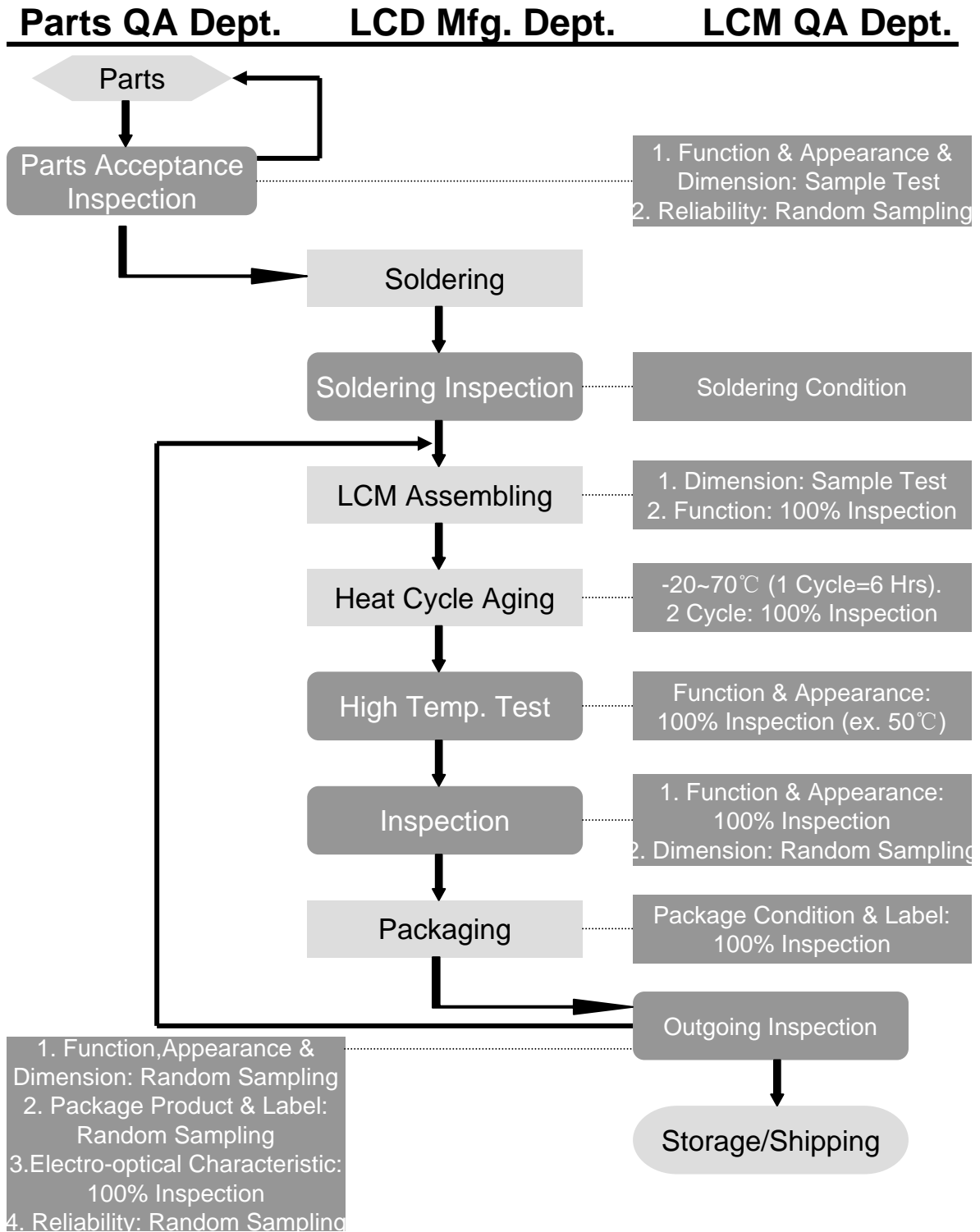
PIN NO.	SYMBOL	DESCRIPTION	FUNCTION
1	VSS	GROUND	0V (GND)
2	VDD	POWER SUPPLY FOR LOGIC CIRCUIT	+5V
3	V0	LCD CONTRAST ADJUSTMENT	
4	D/I	INSTRUCTION/DATA REGISTER SELECTION	D/I = 0 : INSTRUCTION REGISTER D/I = 1 : DATA REGISTER
5	R/W	READ/WRITE SELECTION	R/W = 0 : REGISTER WRITE R/W = 1 : REGISTER READ
6	E	ENABLE SIGNAL	
7	DB0	DATA INPUT/OUTPUT LINES	8 BIT: DB0-DB7
8	DB1		
9	DB2		
10	DB3		
11	DB4		
12	DB5		
13	DB6		
14	DB7		
15	CS1	CHIP SELECTION	CS1=1:CHIP SELECT SIGNAL FOR IC1
16	CS2	CHIP SELECTION	CS2=1:CHIP SELECT SIGNAL FOR IC2
17	RST	RESET SIGNAL	RSTB=0,DISPLAY OFF,DISPLAY FROM LINE 0.
18	VEE	LCD DRIVE NEGATIVE VOLTAGE OUTPUT	-5.0V
19	LEDA	SUPPLY VOLTAGE FOR LED+	+5.0V
20	LEDK	SUPPLY VOLTAGE FOR LED-	0V

13. PACKAGE INFORMATION

A Box include 30pcs



14. QC/QA PROCEDURE



15. RELIABILITY

•Operating life time:

Longer than 50000 hours (at room temperature without direct irradiation of sunlight)

•Reliability Characteristics:

Item	Test	Criterion
High temp	60°C / 200 Hrs	■Total current consumption should be below double of initial value ■Contrast ratio should be within initial value $\pm 50\%$ ■No defect in cosmetic and operational function is allowable
Low temp.	-10°C / 200 Hrs	
High humidity	40°C * 90%RH / 200 Hrs	
Thermal shock	-10°C \rightarrow 25°C \rightarrow 60°C \rightarrow 25°C /5 Cycles (30min) (5min) (30min) (5min)	
Vibration	1. Operating time: Thirty minutes exposure in each direction (x, y, z) 2. Sweep Frequency (1min):10Hz \rightarrow 55Hz \rightarrow 10Hz 3. Amplitude: 0.75mm double amplitude	

16. Handling Precaution

1. Limitation of Application:

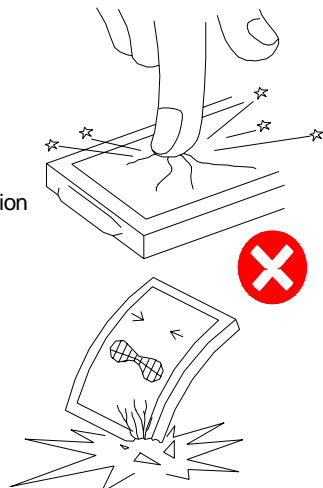
Optrex products are designed for use in ordinary electronic devices such as business machines, telecommunications equipment, measurement devices and etc. Please handle the products with care. (see below)
 Optrex products are not designed, intended, or authorized for use in any application which the failure of the product could result in a situation where personal injury or death may occur. these applications include, but are not limited to . life-sustaining equipment, nuclear control devices, aerospace equipment, devices related to hazardous or flammable materials, etc. [If Buyer intends to purchase or use the Optrex Products for such unintended or unauthorized applications, Buyer must secure prior written consent to such use by a responsible officer of Optrex Corporation.] Should Buyer purchase or use Optrex Products for any such unintended or unauthorized application [without such consent]. Buyer shall indemnify and hold Optrex and its officers, employees, subsidiaries, affiliates and distributors harmless against all claims, costs, damages and expenses, and reasonable attorney's fees, arising out of, directly or indirectly, any claim of personal injury or death associated with such unintended or unauthorized use, even if such claim alleges that Optrex was negligent regarding the design or manufacture of the part.

2. Industrial Rights and Patents

Optrex shall not be responsible for any infringement of industrial property rights of third parties in any country arising out of the application or use of Optrex products, except which directly concern the structure or production of such products.

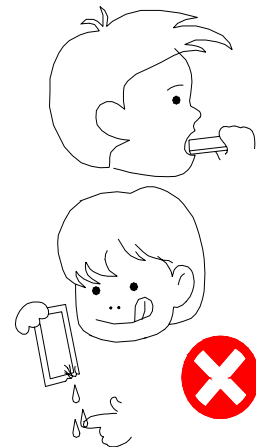
No Press and Shock!

If pressure to LCD, orientation may be disturbed.
 LCD will broken by shock!



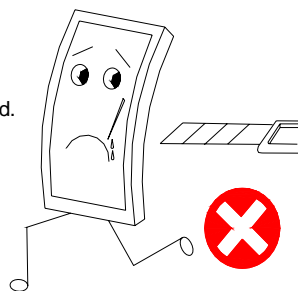
Don't Swallow or Touch Liquid Crystal!

Liquid Crystal may be leaked when display is broked.
 If it accidentally gets your hands, wash then with water!



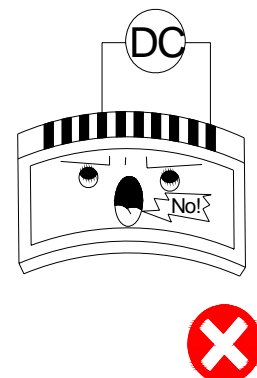
Don't not Scratch!

Polarizer is a soft material and can easily be scratched.



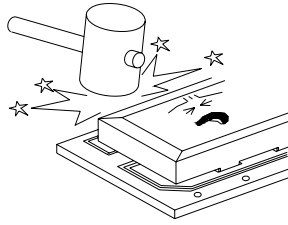
No DC Voltage to LCD!

DC volrage or driveing higher than the specified voltage will reduce the lifetime of the LCD.

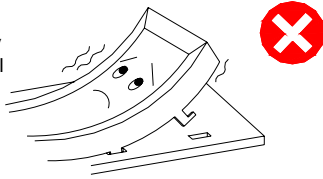


Don't Press the Metallic Frame and Disassemble the LCM

Pressure on the metallic frame and PCB may deform the conductive rubber or break the liquid crystal cell and back light, which will cause defects.



LCD may be shifted or conductive rubber may be reshaped, which will cause defects.



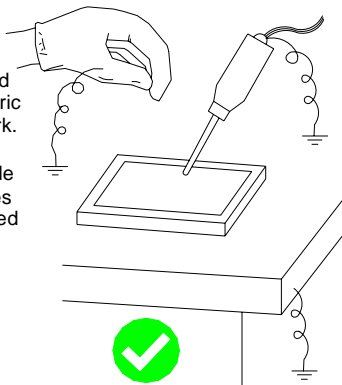
Slowly Peel Off Protective Film!

Avoid static electricity.



Avoid Static Electricity!

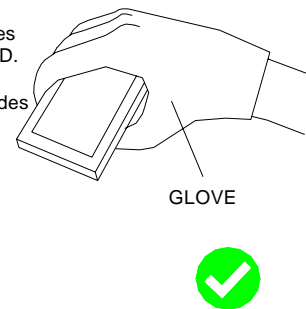
Please be sure to ground human body and electric appliances during work. It is preferable to use conductive mat on table and wear cotton clothes or conduction processed fiber. Synthetic fiber is not recommended.



Wear Gloves While Handling!

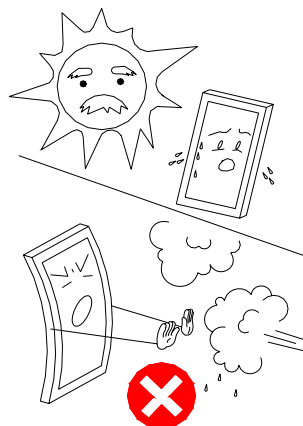
It is preferable to wear gloves to avoid damaging the LCD.

Please do not touch electrodes with bare hands or make them dirty.



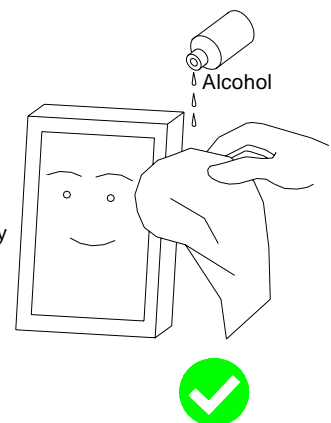
Keep Away From Extreme Heat and Humidity!

LCD deteriorates.



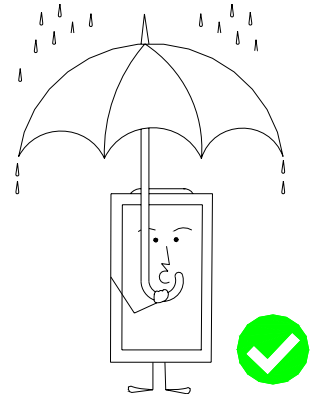
Use Alcohol to Clean Terminals!

When attaching with the heat seal or anisotropically conductive film, wipe off with alcohol before use.



Don't Drop Water on LCD!

Note that the presence of waterdrops or dew in the LCD panel may deteriorate the polarizer or corrode electrode.

**Precaution in Soldering LCD Module**

Basic instructions: Solder I/O terminals only.

Use soldering iron without leakage.

(1) Soldering condition to I/O terminals

Temperature at tip of the iron: $280 \pm 10^\circ\text{C}$

Soldering time: 3~4 sec.

Type of solder: Eutectic solder (containing colophony-flux)

*Please do not use flux because it may soak into LCD Module or contaminate it.

*It is preferable to peel off protective film on display surface after soldering I/O terminals is finished.

(2) Remove connector or cable

*When you remove connector or cable soldered to I/O terminals, please confirm that solder is fully melted. If you remove by force, electrodes at I/O terminals may be damaged (or stripped off).

*It is recommended to use solder suction machine.

Long-term Storage

If it is necessary to store LCD modules for a long time, please comply with the following procedures.

If storage condition is not satisfactory, display (especially polarizer) may be deteriorated or soldering I/O terminals may become difficult (some oxide is generated at I/O terminals plating).

1. Store as delivered by Optrex

2. If you store as unpacked, put in anti-static bag, seal its opening and store where it is not subjected to direct sunshine nor fluorescent lamp.

3. Store at temperature 0 to $+35^\circ\text{C}$ and at low humidity. Please refer to our specification sheets for storage temperature range and humidity condition.

Long-term Storage

Please use power supply with built-in surge protection circuit.