

## JHD402A SERIES

### CHARACTERISTICS

DISPLAY CONTENT : 40 CHAR x 2ROW

CHAR. DOTS : 5 x 8

DRIVING MODE : 1/16D

AVAILABLE TYPES :

TN , STN(YELLOW GREEN, GREY, B/W)

REFLECTIVE, WITH EL OR LED BACKLIGHT

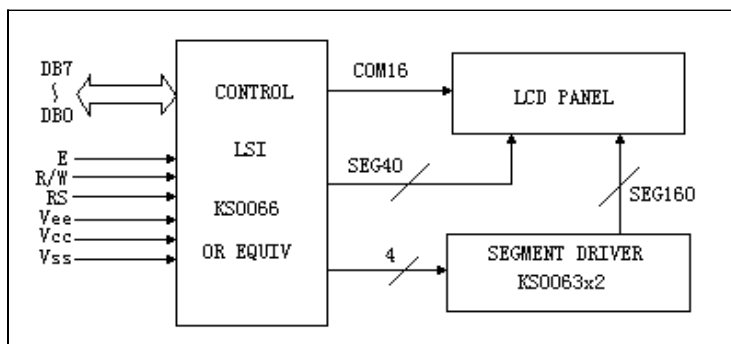
EL/100VAC , 400HZ

LED/4.2VDC

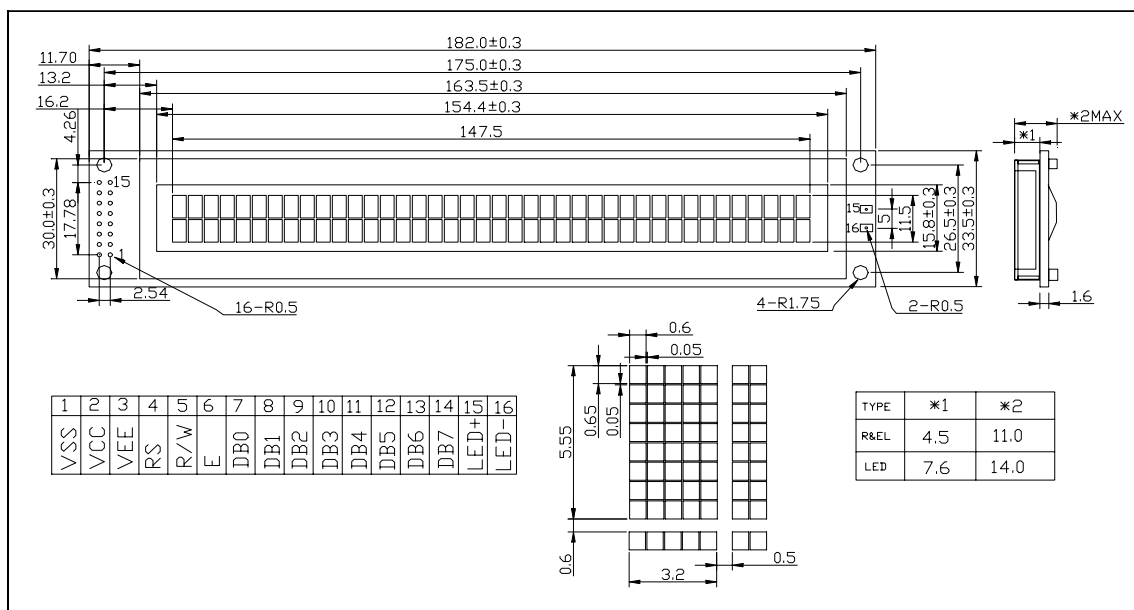
PARAMETER (VDD=5.0V ± 10%,VSS=0V,Ta=25 )

| Parameter           | Symbol  | Testing Criteria | Standard Values |      |     | Unit |
|---------------------|---------|------------------|-----------------|------|-----|------|
|                     |         |                  | Min.            | Typ. | Max |      |
| Supply voltage      | VDD-VSS | -                | 4.5             | 5.0  | 5.5 | V    |
| Input high voltage  | VIH     | -                | 2.2             | -    | VDD | V    |
| Input low voltage   | VIL     | -                | -0.3            | -    | 0.6 | V    |
| Output high voltage | VOH     | -IOH=02mA        | 2.4             | -    | -   | V    |
| Output low voltage  | VOL     | IOL=1.2mA        | -               | -    | 0.4 | V    |
| Operating current   | IDD     | VDD=5.0V         | -               | 2.0  | 5.0 | mA   |

### APPLICATION CIRCUIT



### DIMENSIONS/DISPLAY CONTENT



### PIN CONFIGURATION

| 1   | 2   | 3   | 4  | 5   | 6 | 7   | 8   | 9   | 10  | 11  | 12  | 13  | 14  | 15   | 16   |
|-----|-----|-----|----|-----|---|-----|-----|-----|-----|-----|-----|-----|-----|------|------|
| VSS | VCC | VEE | RS | R/W | E | DB0 | DB1 | DB2 | DB3 | DB4 | DB5 | DB6 | DB7 | LED+ | LED- |