

P/N:110401104691X

UNI-T®

UT13A / UT13B AC Voltage Detectors - Adjustable Sensitivity Operating Manual

⚠ Warning:

Thanks for using UT13A/UT13B adjustable sensitive AC Voltage probe.

Please note prior to use: read the Manual carefully, strictly comply with safety rule and precautions specified in the Manual.

Please note the following items to guard against electric shocking or personal injury:

- 1) If any damage about the detector or failure to operate, please do not use it. If any doubt, please deliver the detector for repair.
- 2) Please do not impose voltage exceeding the rating voltage On probe.
- 3) There may be a danger of electric shocking for voltage higher than 30V (AC), please pay attention to that in operation and
- 4) Observe local and national safety code of the country you are in.

I. ELECTRICAL SYMBOL

☐	Dual Insulation
⚡	Be careful! Electric Shock!
⚠	Dangerous! Important information, refer to the Manual.

CAT IV equipment is intended for protecting from transient voltage injury resulted by first level power source such as meter or overhead wires or ground wires infrastructure.

The product meets:

EMC:EN61326-1:2006

LVD: EN61010-1:2010 EN61010-031:2002+A1:2008

UL: UL61010-1, 2nd Edition, 2005-07-22

CAN/CSA-C22.2 No.61010-1,2nd Edition,2004-07

⚠ Notes:

Do no contact with the white part of front end of detector with your finger!

II. Working voltage and working condition

Working voltage:

24-600V AC: UT13A

50-1000V AC: UT13B

Working frequency:50Hz-60Hz

Working environment:

Working temperature: 0℃~40℃;

Storage temperature:-10℃~50℃

Humidity: ≤95%

Altitude:≤2000m

Indoor application only:

Pollution grade: 2

III. OPERATION INSTRUCTIONS

1.Startup

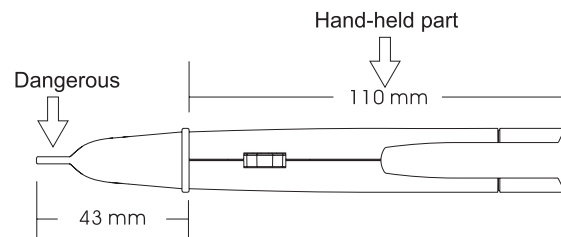
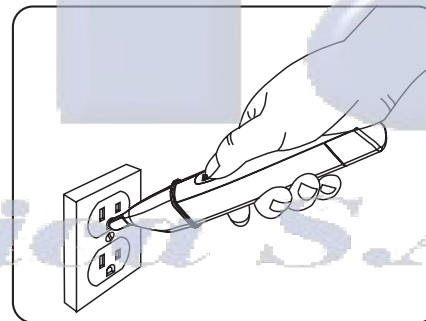
Slightly depress the button with power symbol, buzzer will give off two sounds, LED flickers two times, indicating the successful startup of detector. After entering the status of waiting for test, LED will flicker two times in continuation with an interval of 1.5s.

2.Test AC voltage

Allow the probe of detector close to the object with AC voltage to be tested, LED indicating light will flicker, accompanied by buzzer, for UT13B, accompanied by vibration.

3. Adjust induction sensitivity

Induction sensitivity is quite low at the time of startup, it is able to adjust the induction sensitivity by sliding the knob.



Note: Do not contact the white part of the front end of detector body with your finger.

IV. LOW VOLTAGE DETECTION

LED indicating light will flicker once every 1.5s after startup when the battery voltage is lower than $(1 \pm 0.2)V$, buzzer and vibration operation will stop and vibration is only applicable to UT13B.

V. BATTERY REPLACEMENT

Battery: 1x1.5V AAA (UT13B Alkaline Battery)

Please operate in accordance with the following instruction and figures.

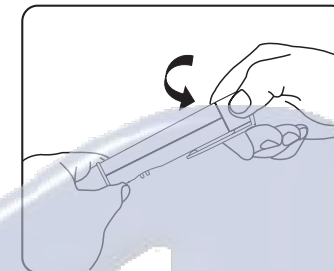


Figure 1

With one hand holding detector body, counter-clockwise twisting the cap off the detector slowly.

VI. CLEANING REQUIREMENTS

Clean the instrument with dry cloth.

Note: Do not use the detector unless it is fully dried.

END

This operating manual is subject to change without notice.

Manufacturer:

Uni-Trend Technology (China) Limited
No 6, Gong Ye Bei 1st Road
Songshan Lake National High-Tech Industrial
Development Zone, Dongguan City
Guangdong Province
China
Postal Code:523 808

Headquarters:

Uni-Trend Group Limited
Rm901, 9/F, Nanyang Plaza
57 Hung To Road
Kwun Tong
Kowloon, Hong Kong
Tel: (852) 2950 9168
Fax: (852) 2950 9303
Email: info@uni-trend.com
http://www.uni-trend.com