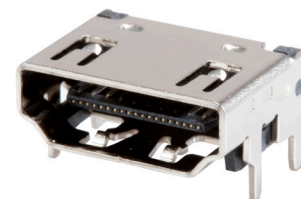


MODEL: HD04-19-TH-TR | **DESCRIPTION:** HDMI RECEPTACLE**FEATURES**

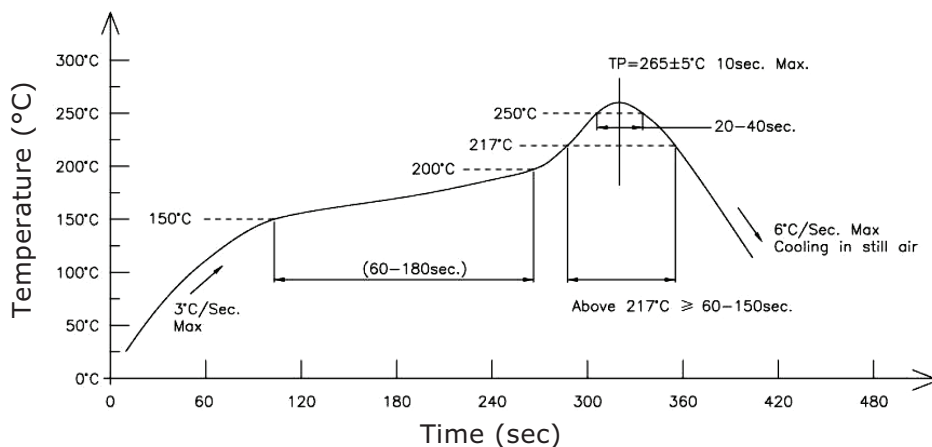
- HDMI receptacle connector
- 19 position
- HDMI 2.1
- through hole
- reflow solder compatible
- tape & reel packaging

**SPECIFICATIONS**

| parameter | conditions/description | min | typ | max | units |
|-----------------------|--|------------|--------|----------|------------|
| rated voltage | | | | 40 | Vac |
| rated current | | | | 0.5 | A |
| contact resistance | contact: dry circuit at 20 mV / 10 mA max shell: open circuit at 5 V / 100 mA max | | | 30 50 | mΩ mΩ |
| insulation resistance | unmated: at 500 Vdc between adjacent terminals mated: at 150 Vdc between adjacent terminals | 100 10 | | | MΩ MΩ |
| voltage withstand | unmated: for 1 minute between adjacent terminals mated: for 1 minute between adjacent terminals | 500 300 | | | Vac Vac |
| insertion force | at 25±3 mm per minute | | | 44.1 | N |
| withdrawal force | at 25±3 mm per minute | 9.8 | | 39.2 | N |
| life | at a rate of 100±50 cycles/hour | | 10,000 | | cycles |
| operating temperature | | -20 | | 85 | °C |
| operating humidity | non-condensing | | | 95 | % |
| flammability rating | UL94V-0 | | | | |
| RoHS | yes | | | | |

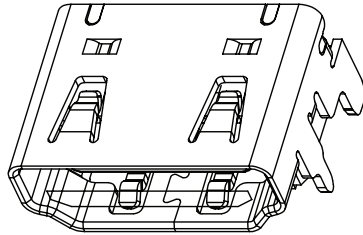
SOLDERABILITY

| parameter | conditions/description | min | typ | max | units |
|----------------|------------------------|-----|-----|-----|-------|
| wave soldering | see reflow profile | 260 | 265 | 270 | °C |

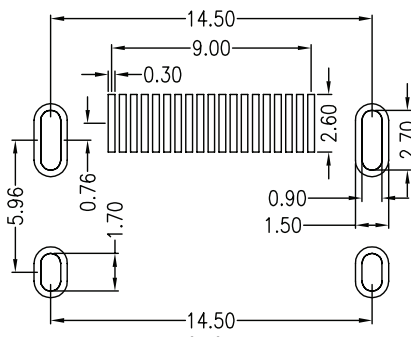
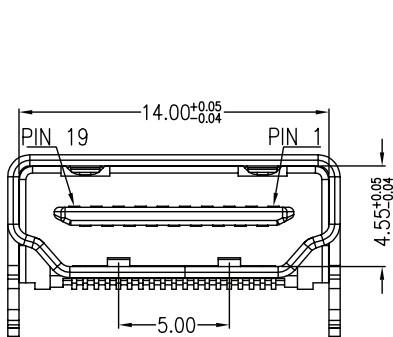
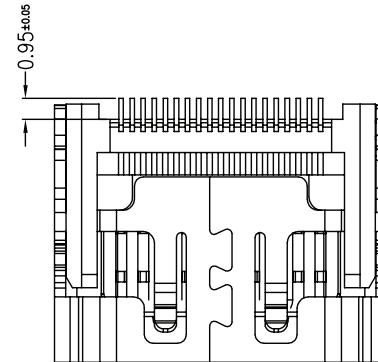
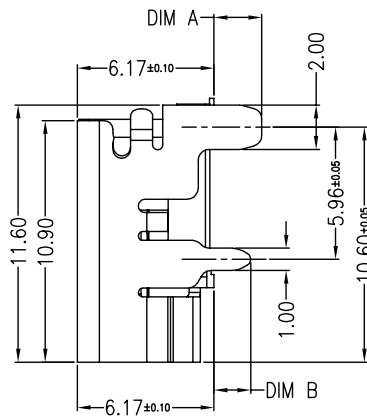
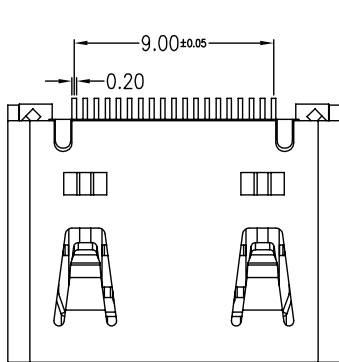
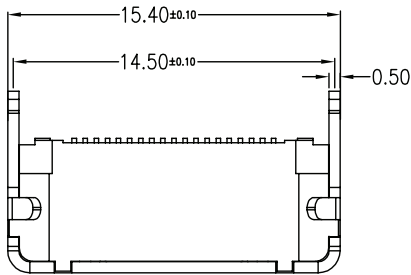


MECHANICAL DRAWING

units: mm
 tolerance:
 X.X ±0.30 mm
 X.XX ±0.20 mm
 X.XXX ±0.10 mm
 PCB: ±0.05 mm
 PCB thickness: 1.0~1.80 mm
 unless otherwise noted



| | MATERIAL | PLATING |
|---|--------------------------|--|
| 1 | insulator LCP (UL94V-0) | black |
| 2 | shell brass | nickel |
| 3 | contacts phosphor bronze | contact area: 0.025 μm gold; solder area: tin |



Recommended PCB Layout Top View

| PIN CONNECTIONS | | | |
|-----------------|--------------------|-----|-------------------|
| PIN | SIGNAL NAME | PIN | SIGNAL NAME |
| 1 | TMDS data 2+ | 11 | TMDS clock shield |
| 2 | TMDS data 2 shield | 12 | TMDS clock- |
| 3 | TMDS data 2- | 13 | CEC |
| 4 | TMDS data 1+ | 14 | Not Connected |
| 5 | TMDS data 1 shield | 15 | DDC clock |
| 6 | TMDS data 1- | 16 | DDC data |
| 7 | TMDS data 0+ | 17 | GND |
| 8 | TMDS data 0 shield | 18 | +5V power |
| 9 | TMDS data 0- | 19 | Hot plug detect |
| 10 | TMDS clock+ | | |

PACKAGING

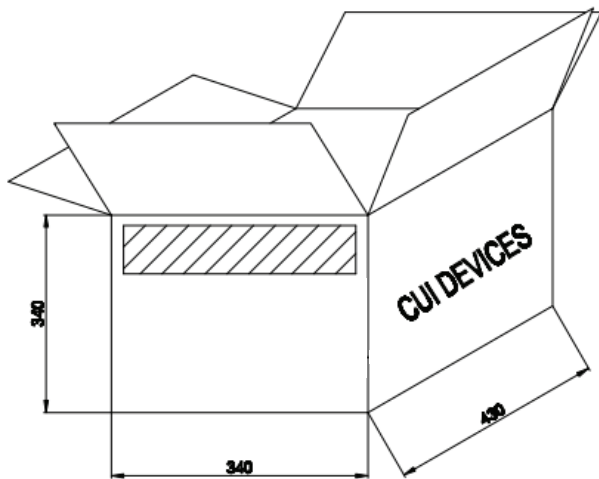
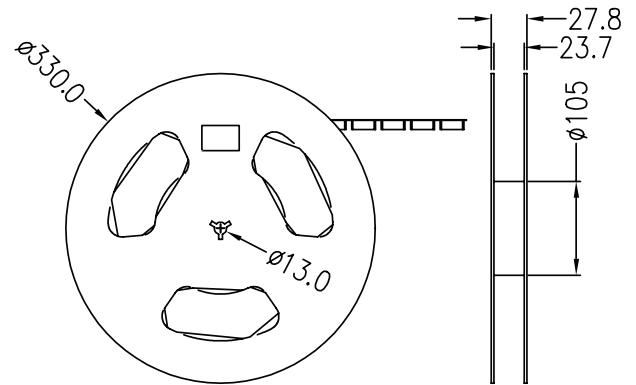
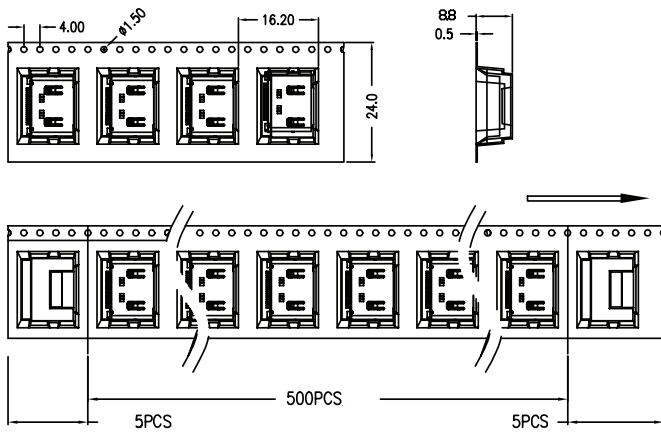
units: mm

Reel Size: Ø330 mm

Reel QTY: 500 pcs per reel

Carton Size: 430 x 340 x 340 mm

Carton QTY: 5,000 pcs per carton



REVISION HISTORY

| rev. | description | date |
|------|-----------------|------------|
| 1.0 | initial release | 09/29/2021 |

The revision history provided is for informational purposes only and is believed to be accurate.

CUI DEVICES

CUI Devices offers a one (1) year limited warranty. Complete warranty information is listed on our website.

CUI Devices reserves the right to make changes to the product at any time without notice. Information provided by CUI Devices is believed to be accurate and reliable. However, no responsibility is assumed by CUI Devices for its use, nor for any infringements of patents or other rights of third parties which may result from its use.

CUI Devices products are not authorized or warranted for use as critical components in equipment that requires an extremely high level of reliability. A critical component is any component of a life support device or system whose failure to perform can be reasonably expected to cause the failure of the life support device or system, or to affect its safety or effectiveness.

Mouser Electronics

Authorized Distributor

Click to View Pricing, Inventory, Delivery & Lifecycle Information:

[CUI Devices:](#)

[HD04-19-TH-TR](#)