

TB2926HQ

45 W × 4-ch BTL Audio Power IC

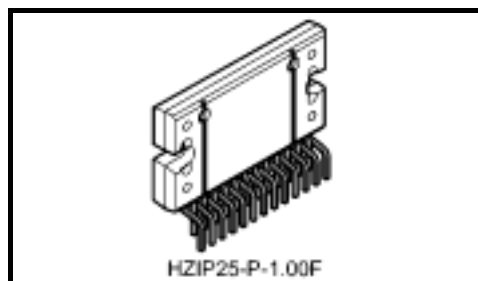
The TB2926HQ is a four-channel BTL power amplifier for car audio applications.

This IC has a pure complementary P-ch and N-ch DMOS output stage, offering maximum output power ($P_{OUT\ MAX}$) of 45 W.

It includes a standby switch, mute function and various protection features.

Features

- High output power
 - $P_{OUT\ MAX}$ (1) = 45 W (typ.)
($V_{CC} = 15.2\ V$, $f = 1\ kHz$, JEITA max, $R_L = 4\ \Omega$)
 - $P_{OUT\ MAX}$ (2) = 43 W (typ.)
($V_{CC} = 14.4\ V$, $f = 1\ kHz$, JEITA max, $R_L = 4\ \Omega$)
 - P_{OUT} (1) = 26 W (typ.)
($V_{CC} = 14.4\ V$, $f = 1\ kHz$, THD = 10%, $R_L = 4\ \Omega$)
 - P_{OUT} (2) = 23 W (typ.)
($V_{CC} = 13.2\ V$, $f = 1\ kHz$, THD = 10%, $R_L = 4\ \Omega$)
- Low THD: 0.007% (typ.) ($V_{CC} = 13.2\ V$, $f = 1\ kHz$, $P_{OUT} = 5\ W$, $R_L = 4\ \Omega$)
- Low noise: $V_{NO} = 60\ \mu V_{rms}$ (typ.)
($V_{CC} = 13.2\ V$, $R_g = 0\ \Omega$, BW = 20 Hz to 20 kHz, $R_L = 4\ \Omega$)
- Standby switch (pin 4)
- Mute function (pin 22)
- Output DC offset detection (pin 25)
- Various protection features
Thermal overload; overvoltage; output short-circuits to GND, V_{CC} and across the load; speaker current limiting
- Operating supply voltage: V_{CC} (opr) = 8.0 to 18 V ($R_L = 4\ \Omega$)



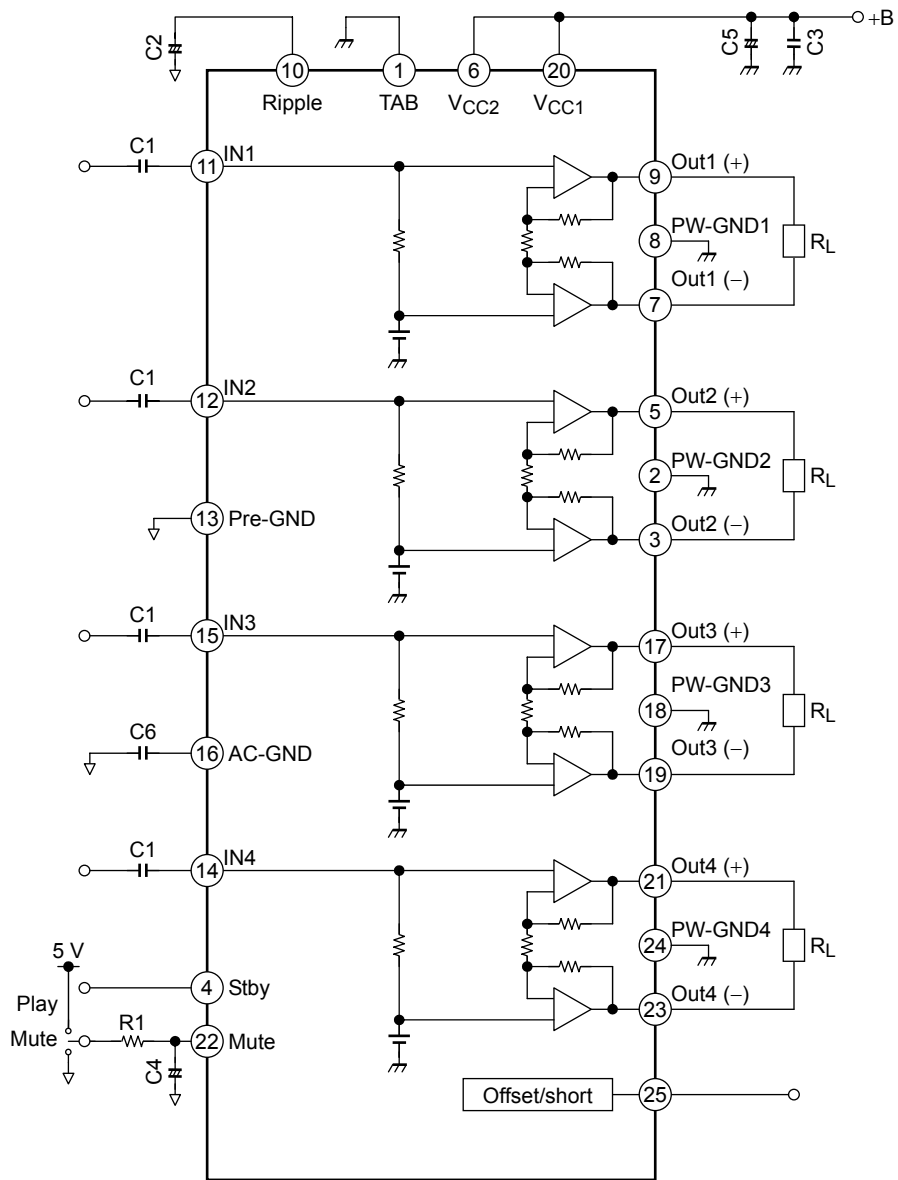
Weight: 7.7 g (typ.)

Note 1: Install the device correctly. Otherwise, the device or system may be degraded, damaged or even destroyed.

Note 2: The protection features are intended to avoid output short-circuits or other abnormal conditions temporarily. It is not guaranteed that they will prevent the IC from being damaged.

Exposure to conditions beyond the guaranteed operating ranges may not activate the protection features, resulting in an IC damage due to output short-circuits.

Block Diagram



Some of the functional blocks, circuits or constants may be omitted from the block diagram or simplified for explanatory purposes.

Detailed Description

1. Standby Switch (pin 4)

The power supply can be turned on or off via pin 4 (Stby). The threshold voltage of pin 4 is set at about $3 V_{BE}$ (typ.). The power supply current is about $0.01 \mu A$ (typ.) in the standby state.

Standby Control Voltage (V_{SB}): Pin 4

Standby	Power	V_{SB} (V)
ON	OFF	0 to 0.9
OFF	ON	2.9 to VCC

Check the pop levels when the time constant of pin 4 is changed.

Benefits of the Standby Switch

- (1) V_{CC} can be directly turned on or off by a microcontroller, eliminating the need for a switching relay.
- (2) Since the control current is minuscule, a low-current-rated switching relay can be used.

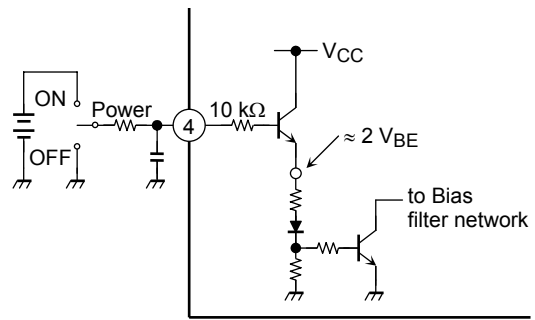


Figure 1 Setting Pin 4 High Turns on Power

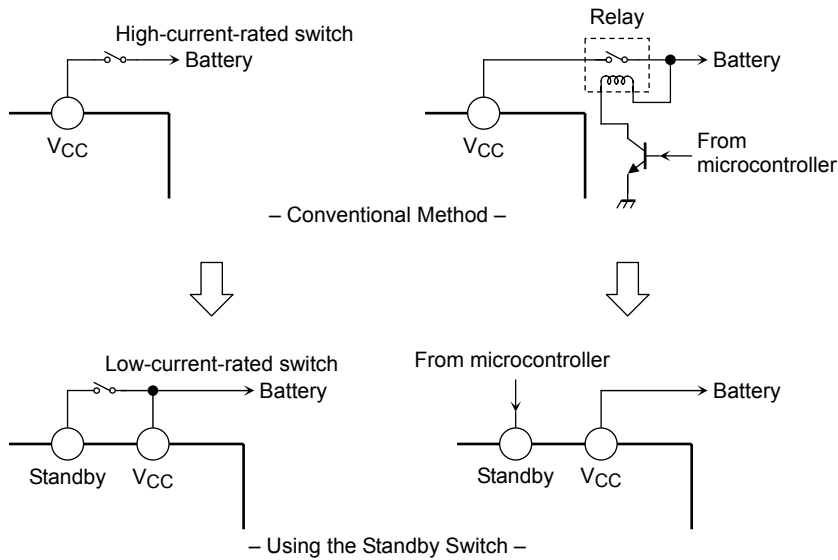


Figure 2 Standby Switch

2. Mute Function (pin 22)

The audio mute function is enabled by setting pin 22 Low. R₁ and C₄ determine the time constant of the mute function. The time constant affects pop noise generated when power or the mute function is turned on or off; thus, it must be determined on a per-application basis. (Refer to Figures 4 and 5.)

The value of the external pull-up resistor is determined, based on pop noise value.

For example, when the control voltage is changed from 5 V to 3.3 V, the pull-up resistor should be:
 $3.3 \text{ V} / 5 \text{ V} \times 47 \text{ k}\Omega = 31 \text{ k}\Omega$

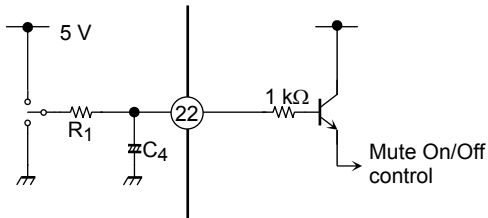


Figure 3 Mute Function

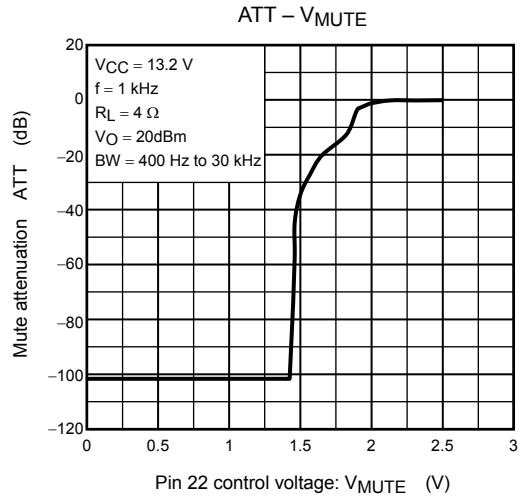


Figure 4 Mute Attenuation – V_{MUTE} (V)

3. DC Offset Detection

The purpose of the integrated DC offset detector is to avoid an anomalous DC offset on the outputs, produced by the input capacitor due to leakage current or short-circuit.

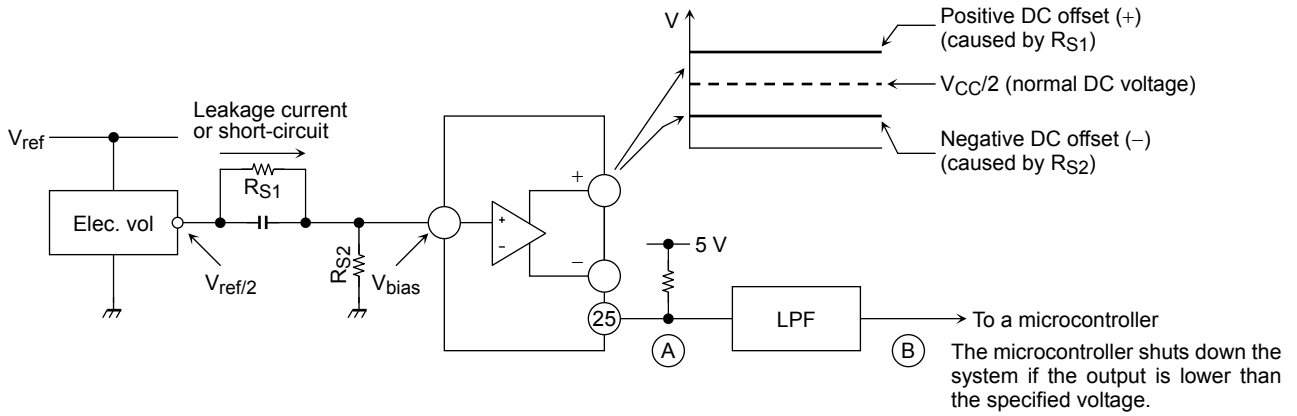
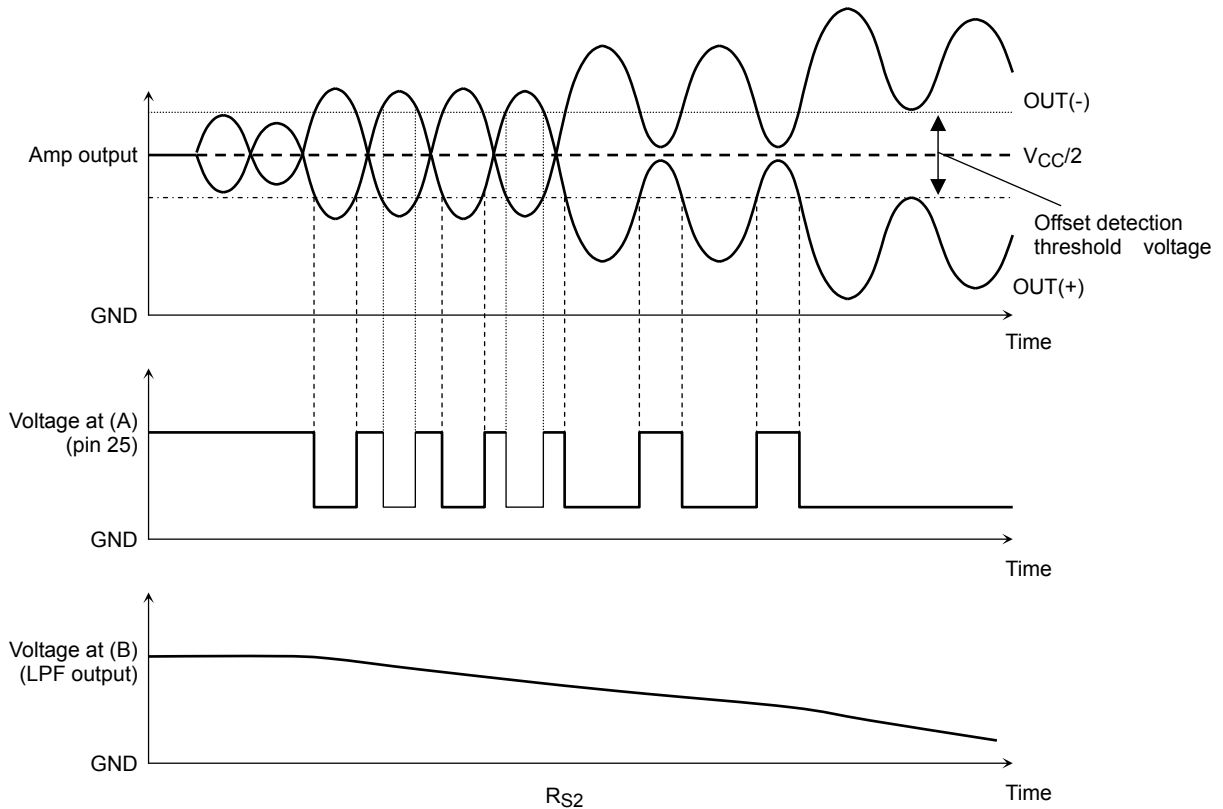


Figure 5 DC Offset Detection Mechanism



4. Layer Short Detection

The TB2926HQ may be properly connected to a load such as a 4-Ω speaker, but one of the speaker lines may be shorted to ground through a low-impedance path. The TB2926HQ can detect such a condition.

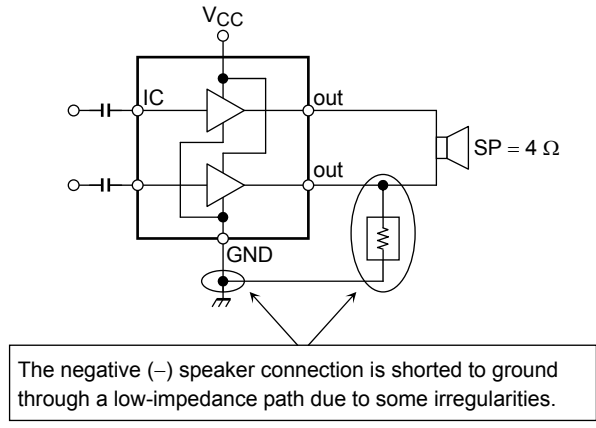


Figure 6 Layer Short

As is the case with output DC offset detection, pin 25 is also activated when there is a short on one of the speaker lines as shown above. The detection impedance is 4.5 Ω (typ.).

This feature allows detection of a short-circuit through a low-impedance path other than the speaker impedance. It helps to avoid speaker damage in case of anomalous system conditions and improve system reliability.

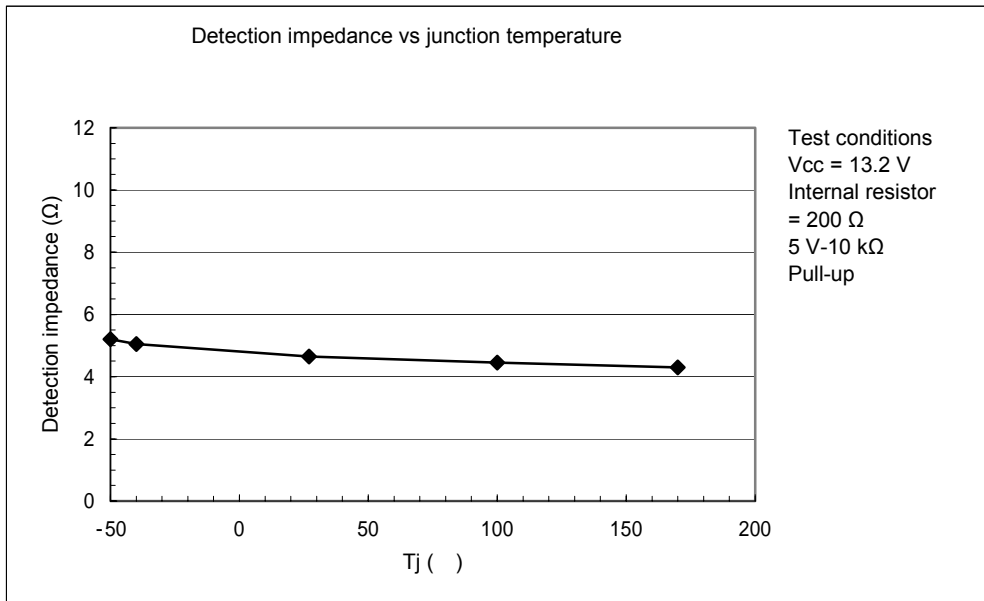


Figure 7 Typical Detection Impedance vs Junction Temperature (Intended as a Guide)

Note 3: The detection impedance varies with temperature, as shown above. Experiment with actual hardware.

5. Prevention of speaker damage (in case of a layer short-circuit of the speaker)

When the DC resistance between the OUT+ and OUT- pins falls below 1 Ω, the output current exceeds 4 A. At this time, the protection circuit is activated to limit the current draw into the speaker. This feature prevents the speaker from being damaged, as follows:

< Speaker damaging scenario >

A DC current of over 4 V is applied to the speaker due to an external circuit failure (Note 4). (Abnormal DC output offset)



The speaker impedance becomes 1 Ω or less due to a layer short.



A current of over 4 A flows into the speaker, damaging the speaker.

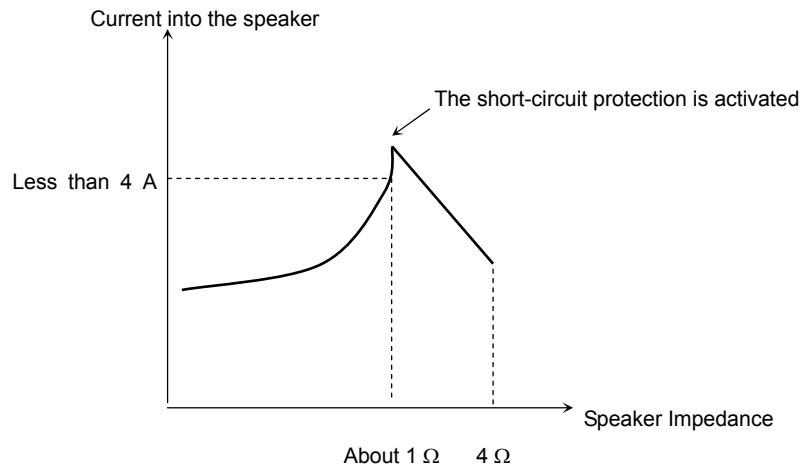


Figure 8

Note 4: An abnormal DC offset voltage is incurred when the input bias to the power IC is lost due to a leakage current from a coupling capacitor at the input or a short-circuit between the IN and adjacent lines.

6. Pop Noise Suppression

Since the TB2926HQ uses the AC-GND pin (pin 16) as the common input reference voltage pin for all amplifiers, the ratio of the input capacitance (C1) to the AC-to-GND capacitance (C6) should be 1:4.

Also, if power is removed before C1 and C6 are completely charged, pop noise will be generated because of unbalanced DC currents.

To avoid this problem, it is recommended to use a larger capacitor as C2 to increase the charging times of C1 and C6. Note, however, that C2 also affects the time required from power-on to audio output.

The pop noise generated by the muting and unmuting of the audio output varies with the time constant of C4. A larger capacitance reduces the pop noise, but increases the time from when the mute control signal is applied to C4 to when the mute function is enabled.

7. External Component Constants

Component	Recommended Value	Purpose	Effects		Notes
			When lower than recommended value	When higher than recommended value	
C1	0.22 μ F	To eliminate DC	Cut-off frequency is increased.	Cut-off frequency is reduced.	Pop noise is generated when V_{CC} is turned on.
C2	47 μ F	To reduce ripple	Powering on/off is faster.	Powering on/off is slower.	
C3	0.1 μ F	To provide sufficient oscillation margin	Reduces noise and provides sufficient oscillation margin		
C4	1 μ F	To reduce pop noise	High pop noise. Duration until mute function is turned on/off is short.	Low pop noise. Duration until mute function is turned on/off is long.	
C5	3900 μ F	Ripple filter	Power supply humming and ripple filtering.		
C6	1 μ F	Common reference voltage for all input	Pop noise is suppressed when C1: C6 = 1:4.		Pop noise is generated when V_{CC} is turned on.

Absolute Maximum Ratings (Ta = 25°C)

Characteristics	Symbol	Rating	Unit
Peak supply voltage (0.2 s)	V _{CC} (surge)	50	V
DC supply voltage	V _{CC} (DC)	25	V
Operating supply voltage	V _{CC} (opr)	18	V
Output current (peak)	I _O (peak)	9	A
Power dissipation	P _D (Note 7)	125	W
Operating temperature	T _{opr}	-40 to 85	°C
Storage temperature	T _{stg}	-55 to 150	°C

Note 5: Package thermal resistance $\theta_{j-T} = 1^{\circ}\text{C/W}$ (typ.) (Ta = 25°C, with infinite heat sink)

The absolute maximum ratings of a semiconductor device are a set of specified parameter values that must not be exceeded during operation, even for an instant.

If any of these ratings are exceeded during operation, the electrical characteristics of the device may be irreparably altered and the reliability and lifetime of the device can no longer be guaranteed.

Moreover, any exceeding of the ratings during operation may cause breakdown, damage and/or degradation in other equipment. Applications using the device should be designed so that no absolute maximum rating will ever be exceeded under any operating conditions.

Before using, creating and/or producing designs, refer to and comply with the precautions and conditions set forth in this document.

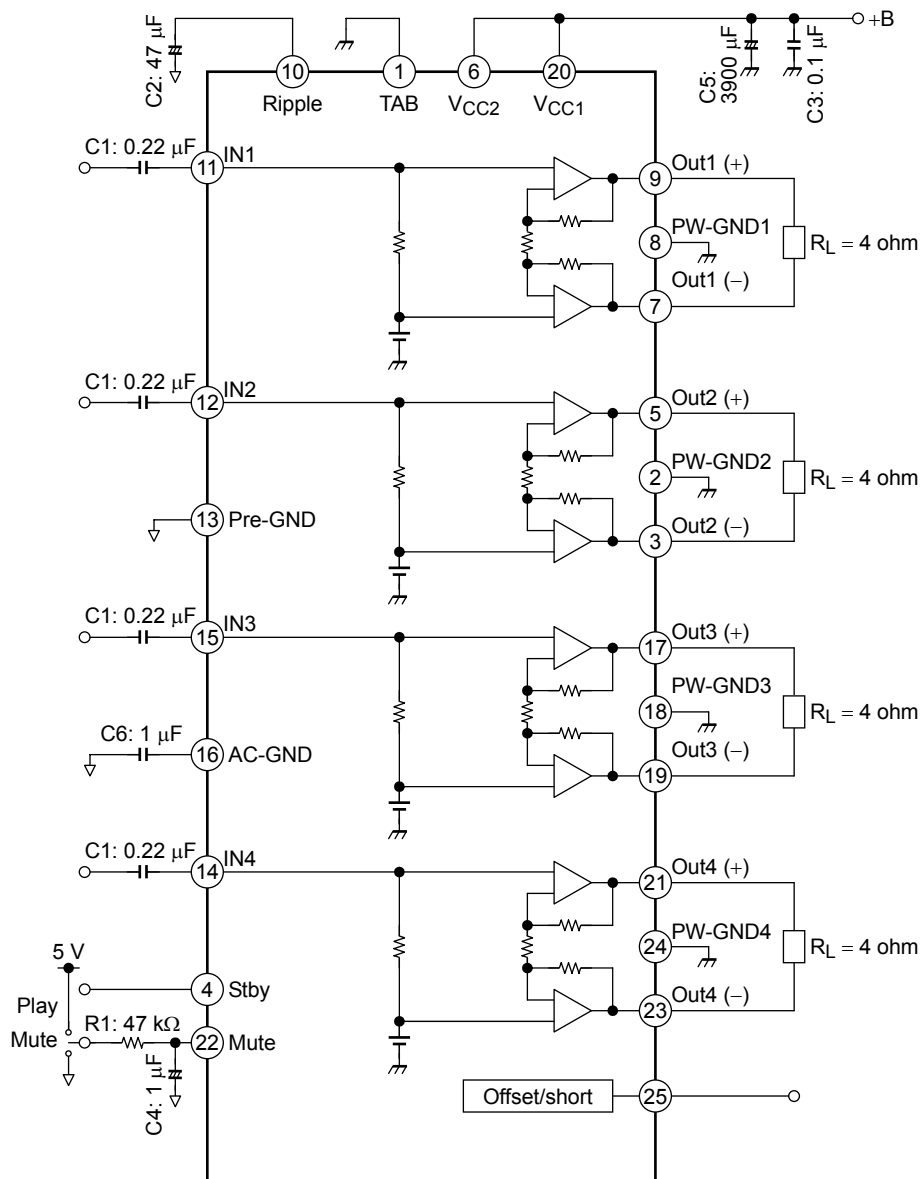
Electrical Characteristics

(V_{CC} = 13.2 V, f = 1 kHz, R_L = 4 Ω, Ta = 25°C unless otherwise specified)

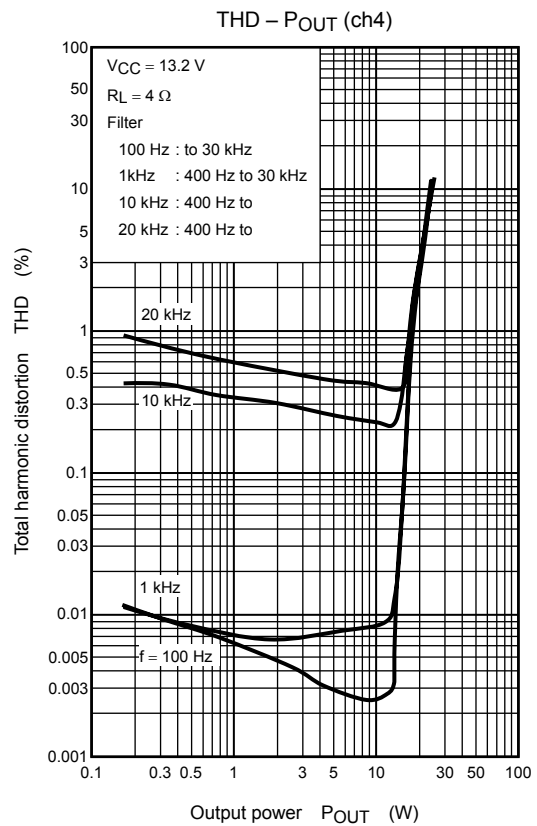
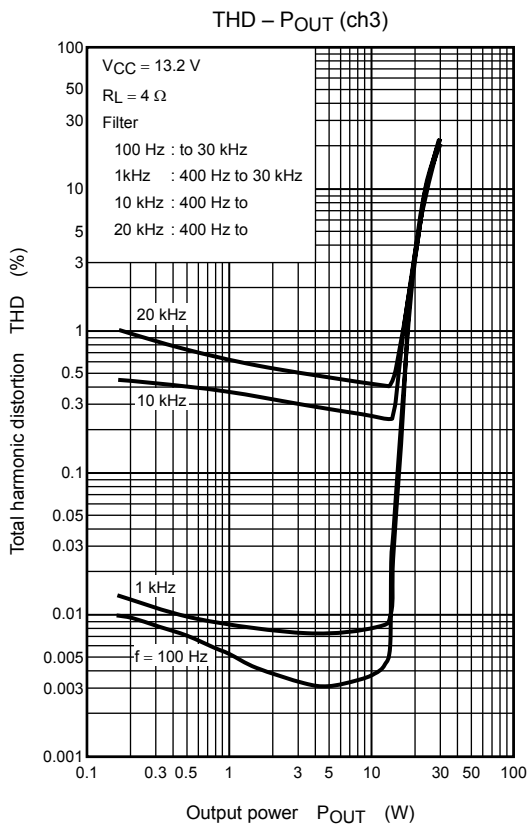
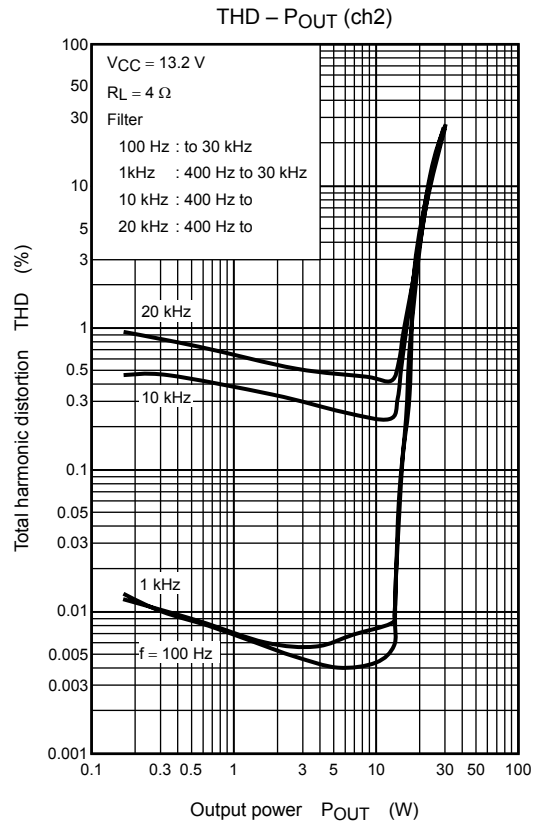
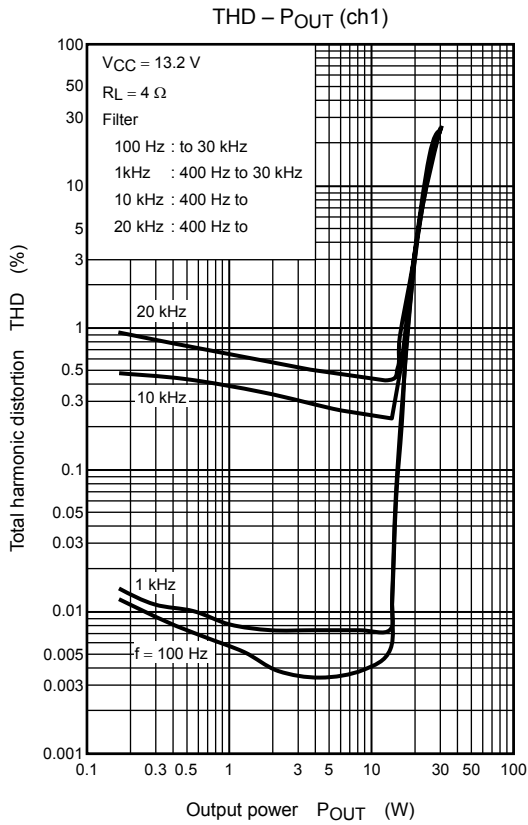
Characteristics	Symbol	Test Circuit	Test Condition	Min	Typ.	Max	Unit
Quiescent supply current	I _{CCQ}	—	V _{IN} = 0	—	160	320	mA
Output power	P _{OUT} MAX (1)	—	V _{CC} = 15.2 V, max POWER	—	45	—	W
	P _{OUT} MAX (2)	—	V _{CC} = 14.4 V, max POWER	—	43	—	
	P _{OUT} MAX (3)	—	V _{CC} = 13.7 V, max POWER	—	39	—	
	P _{OUT} (1)	—	V _{CC} = 14.4 V, THD = 10%	—	26	—	
	P _{OUT} (2)	—	THD = 10%	21	23	—	
Total harmonic distortion	THD	—	P _{OUT} = 5 W	—	0.007	0.07	%
Voltage gain	G _V	—	V _{OUT} = 0.775 V _{rms}	25	26	27	dB
Channel-to-channel voltage gain	ΔG _V	—	V _{OUT} = 0.775 V _{rms}	-1.0	0	1.0	dB
Output noise voltage	V _{NO} (1)	—	R _g = 0 Ω, DIN45405	—	60	—	μV _{rms}
	V _{NO} (2)	—	R _g = 0 Ω, BW = 20 Hz to 20 kHz	—	60	70	
Ripple rejection ratio	R.R.	—	f _{rip} = 100 Hz, R _g = 620 Ω V _{rip} = 0.775 V _{rms}	50	65	—	dB
Crosstalk	C.T.	—	R _g = 620 Ω P _{OUT} = 4 W	—	80	—	dB
Output offset voltage	V _{OFFSET}	—	—	-90	0	90	mV
Input resistance	R _{IN}	—	—	—	90	—	kΩ
Standby current	I _{SB}	—	Standby condition, V4=0, V22=0	—	0.01	1	μA
Standby control voltage	V _{SB} H	—	POWER: ON	2.9	—	V _{CC}	V
	V _{SB} L	—	POWER: OFF	0	—	0.9	
Mute control voltage	V _M H	—	MUTE: OFF	2.9	—	6.0	V
	V _M L	—	MUTE: ON, R ₁ = 47 kΩ	0	—	0.9	

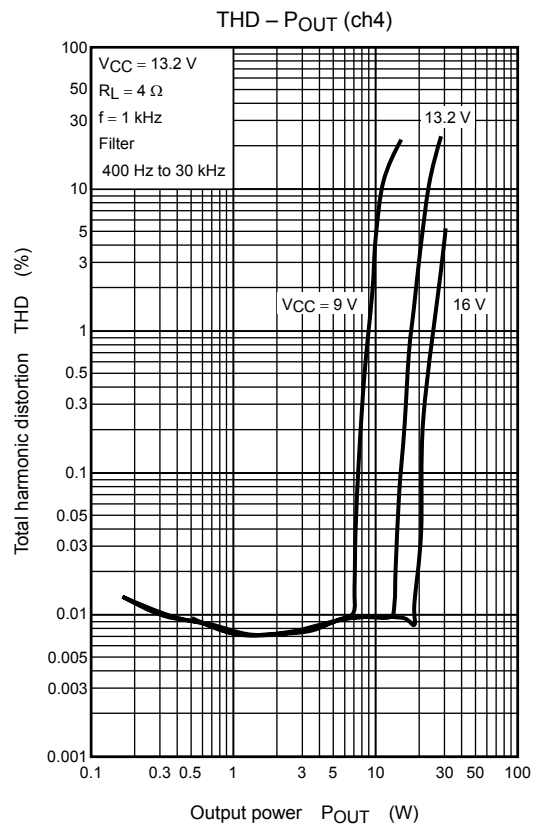
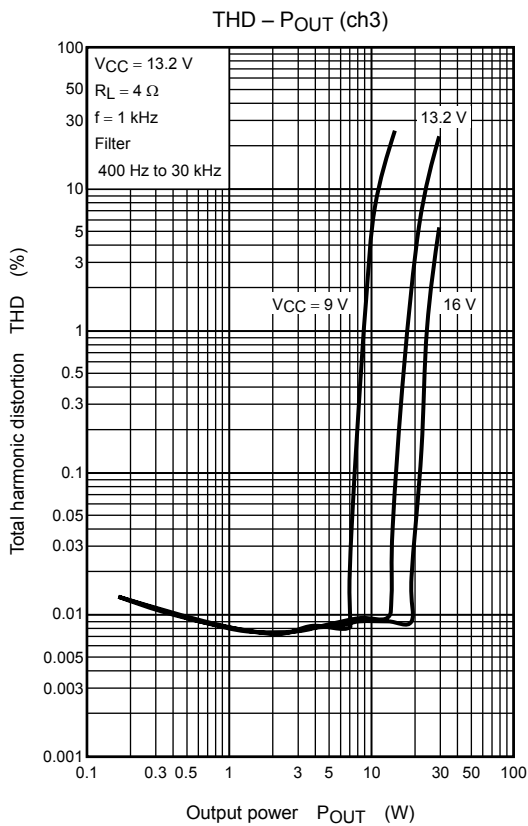
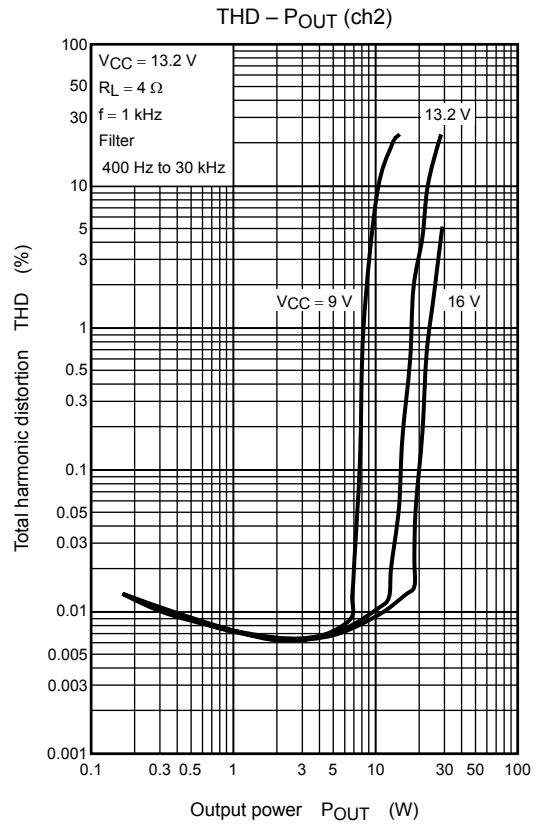
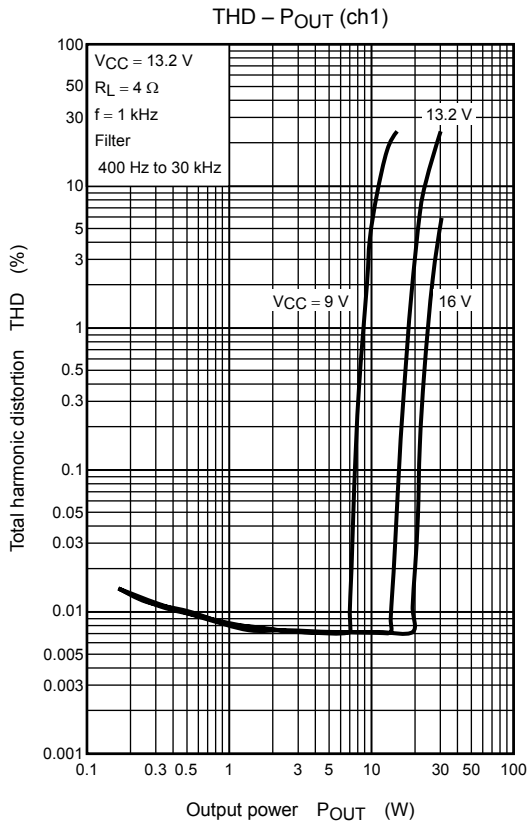
Characteristics	Symbol	Test Circuit	Test Condition	Min	Typ.	Max	Unit
Mute attenuation	ATT M	—	MUTE: ON, DIN_AUDIO $V_{OUT} = 7.75 \text{ Vrms} \rightarrow \text{Mute: OFF}$	85	100	—	dB
Upper cut-off frequency	F_{th}	—	$G_V = 26\text{dB}, -3\text{dB}$	—	250	—	kHz
DC offset threshold voltage	$V_{off-set}$	—	$R_{pull-up} = 10 \text{ k}\Omega, +V = 5.0 \text{ V}$ Out(+)-Out(-)	± 1.0	± 1.5	± 2.0	V
Layer short detection impedance	R half-short	—	$R_{pull-up} = 10 \text{ k}\Omega, +V = 5.0 \text{ V}$ channel (+) or (-) shorted to GND, when between R_S impedance output to GND.	2.0	4.5	—	Ω
Pin 25 saturation voltage (at each detector ON condition)	P25-Sat	—	$R_{pull-up} = 10 \text{ k}\Omega, +V = 5.0 \text{ V}$ (pin 25 = low)	—	100	500	V

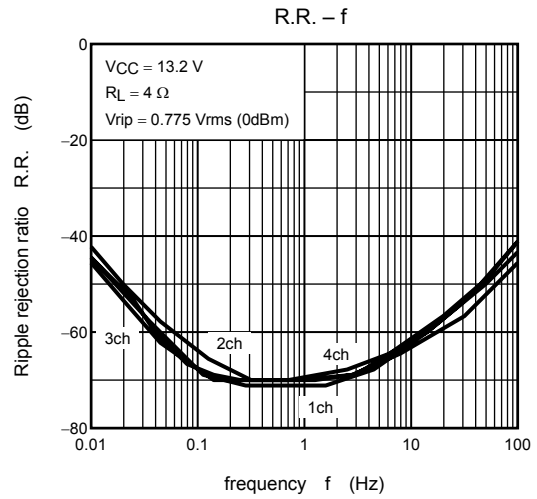
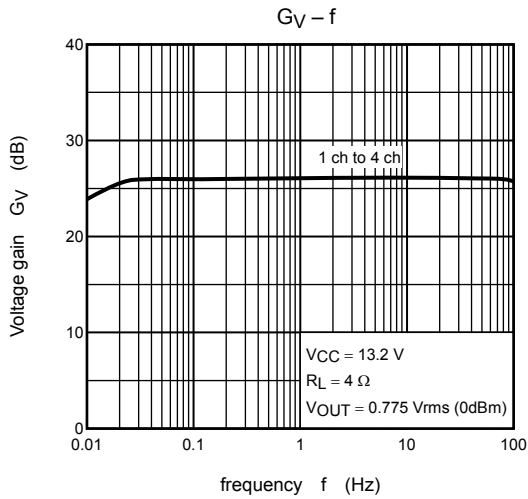
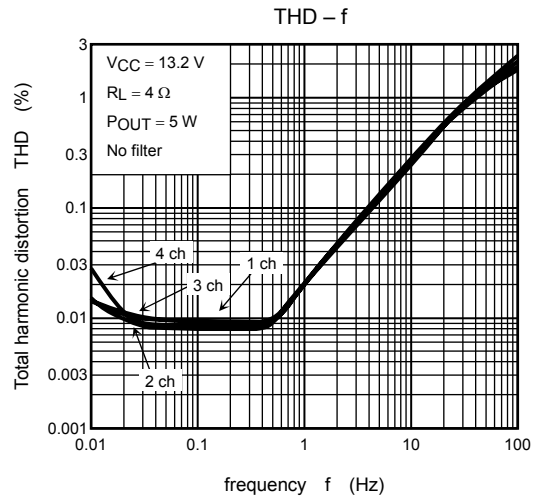
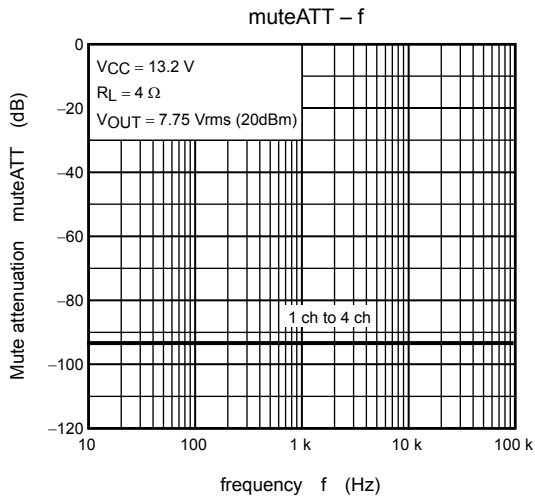
Test Circuit

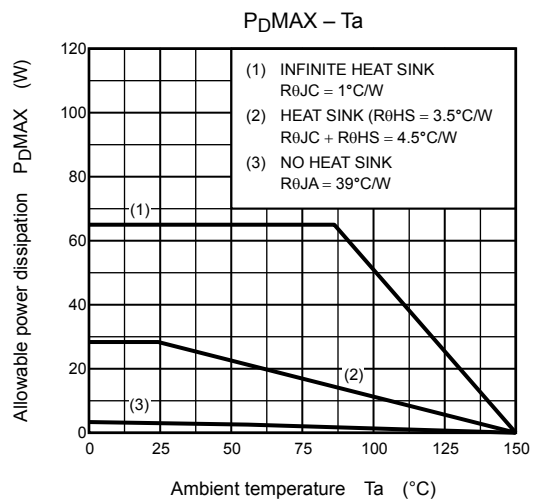
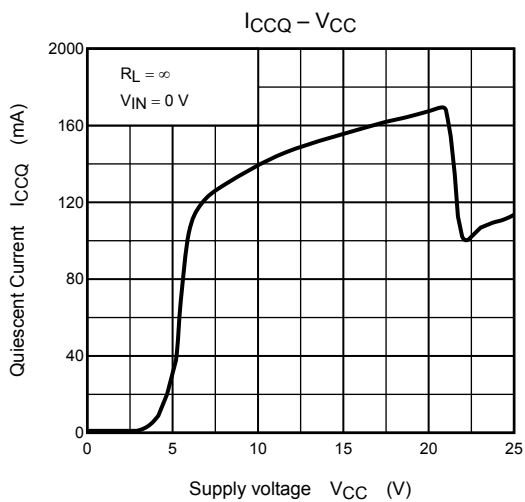
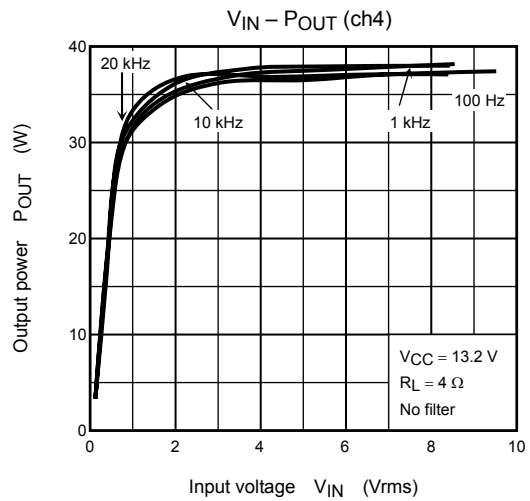
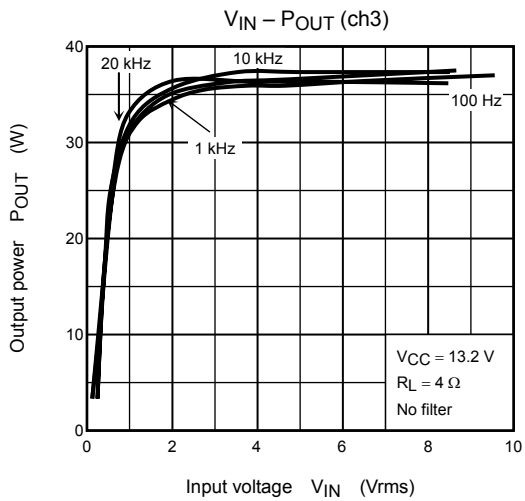
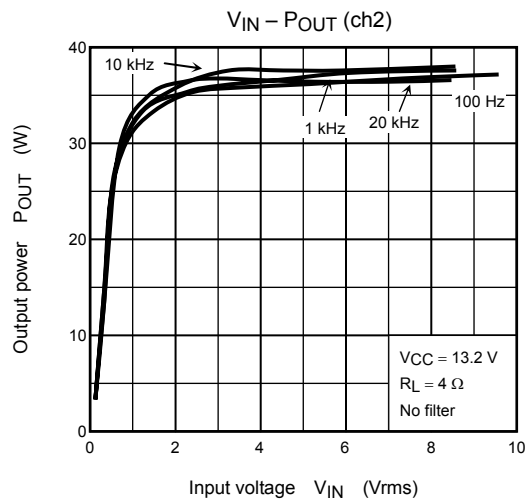
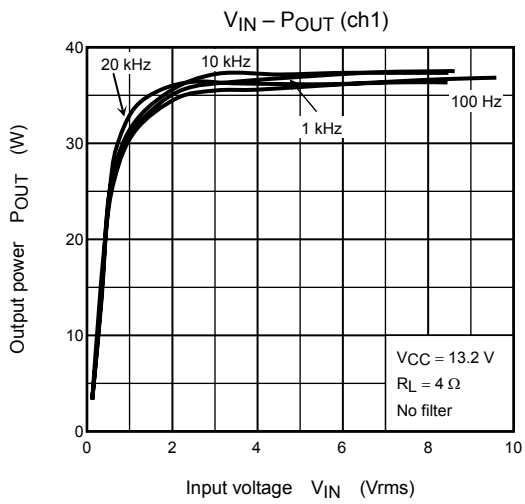


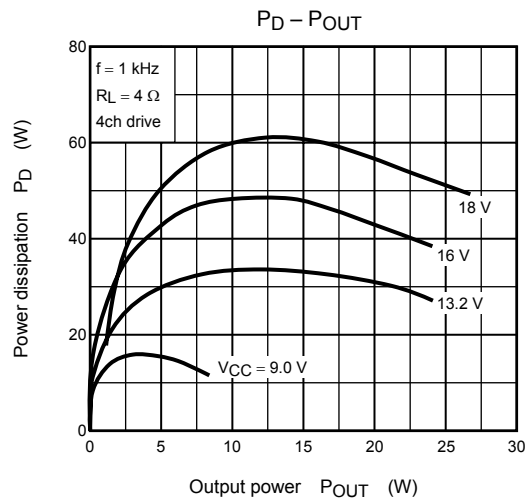
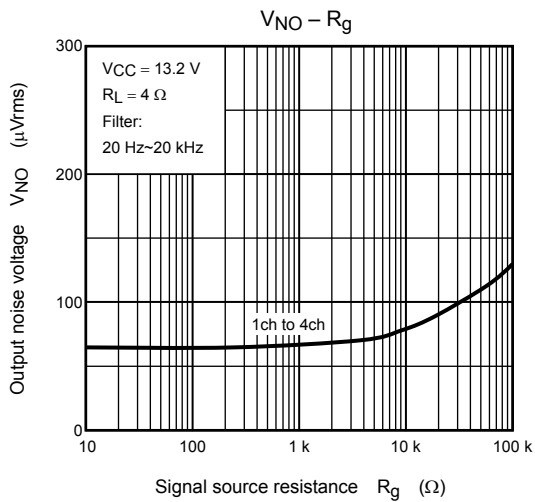
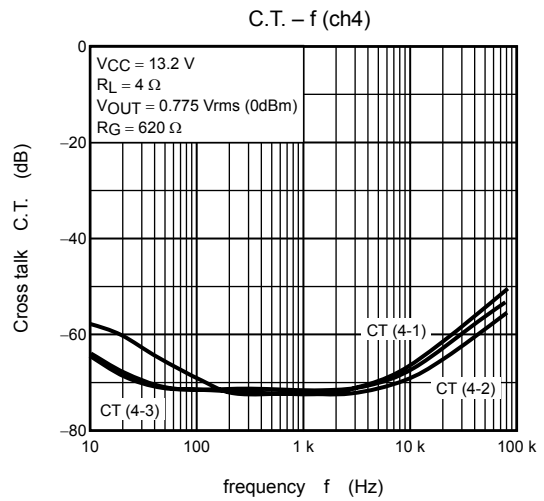
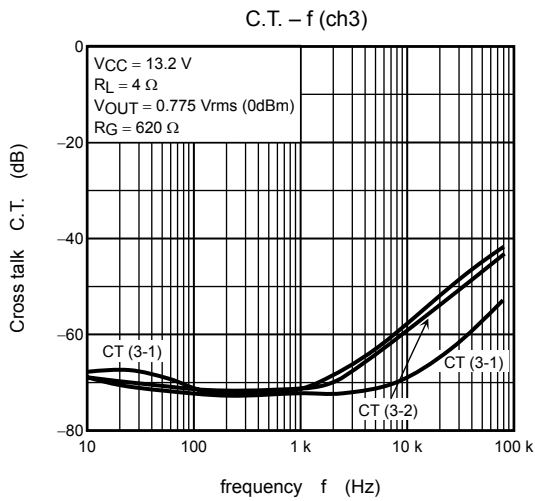
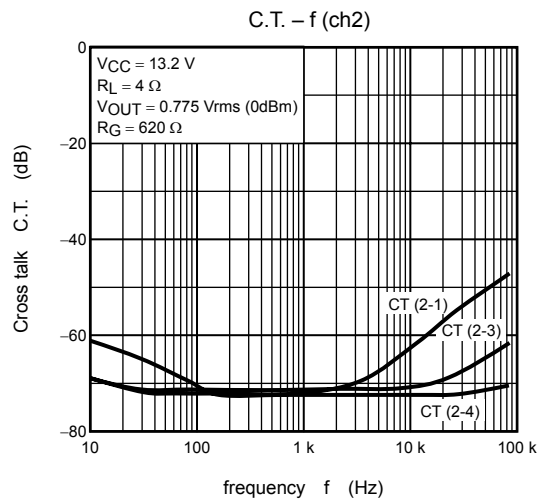
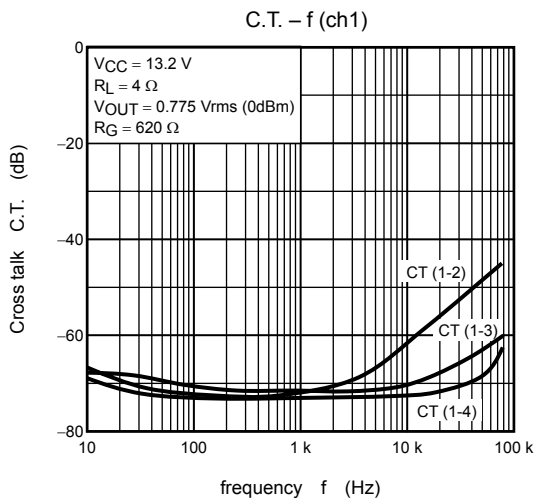
Components in the test circuit are only used to determine the device characteristics.
It is not guaranteed that the system will work properly with these components.







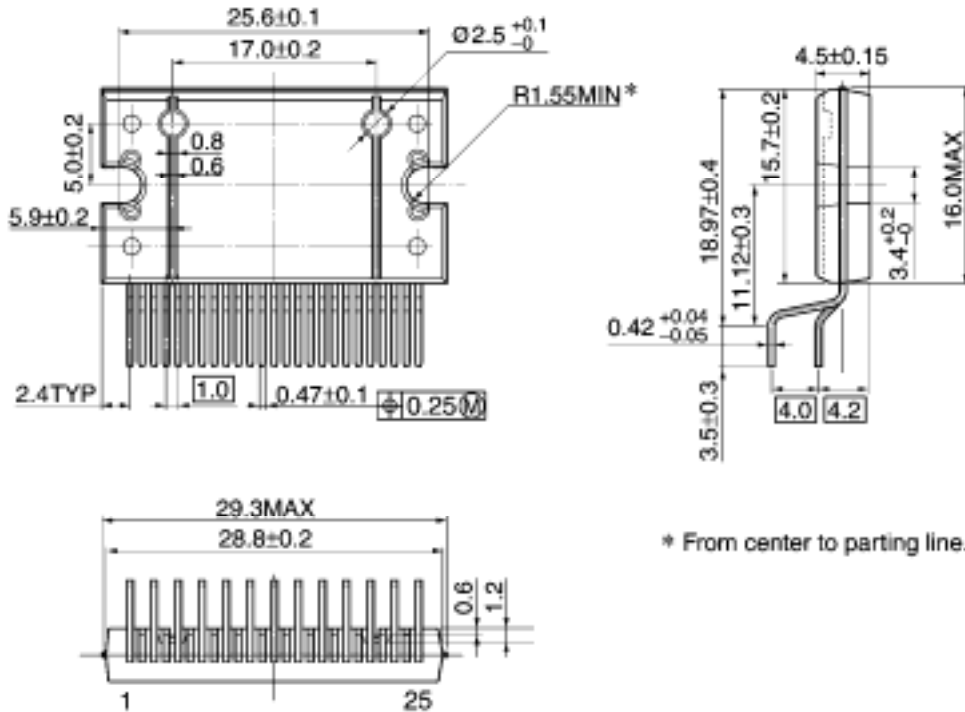




Package Dimensions

HZIP25-P-1.00F

Unit: mm



* From center to parting line.

Weight: 7.7 g (typ.)

- Use an appropriate power supply fuse to ensure that a large current does not continuously flow in case of over current and/or IC failure. The IC will fully break down when used under conditions that exceed its absolute maximum ratings, when the wiring is routed improperly or when an abnormal pulse noise occurs from the wiring or load, causing a large current to continuously flow and the breakdown can lead smoke or ignition. To minimize the effects of the flow of a large current in case of breakdown, appropriate settings, such as fuse capacity, fusing time and insertion circuit location, are required.
- If your design includes an inductive load such as a motor coil, incorporate a protection circuit into the design to prevent device malfunction or breakdown caused by the current resulting from the inrush current at power ON or the negative current resulting from the back electromotive force at power OFF. For details on how to connect a protection circuit such as a current limiting resistor or back electromotive force adsorption diode, refer to individual IC datasheets or the IC databook. IC breakdown may cause injury, smoke or ignition.
- Use a stable power supply with ICs with built-in protection functions. If the power supply is unstable, the protection function may not operate, causing IC breakdown. IC breakdown may cause injury, smoke or ignition.
- Carefully select external components (such as inputs and negative feedback capacitors) and load components (such as speakers), for example, power amp and regulator. If there is a large amount of leakage current such as input or negative feedback condenser, the IC output DC voltage will increase. If this output voltage is connected to a speaker with low input withstand voltage, overcurrent or IC failure can cause smoke or ignition. (The over current can cause smoke or ignition from the IC itself.) In particular, please pay attention when using a Bridge Tied Load (BTL) connection type IC that inputs output DC voltage to a speaker directly.
- Over current Protection Circuit
Over current protection circuits (referred to as current limiter circuits) do not necessarily protect ICs under all circumstances. If the Over current protection circuits operate against the over current, clear the over current status immediately. Depending on the method of use and usage conditions, such as exceeding absolute maximum ratings can cause the over current protection circuit to not operate properly or IC breakdown before operation. In addition, depending on the method of use and usage conditions, if over current continues to flow for a long time after operation, the IC may generate heat resulting in breakdown.
- Thermal Shutdown Circuit
Thermal shutdown circuits do not necessarily protect ICs under all circumstances. If the Thermal shutdown circuits operate against the over temperature, clear the heat generation status immediately. Depending on the method of use and usage conditions, such as exceeding absolute maximum ratings can cause the thermal shutdown circuit to not operate properly or IC breakdown before operation.
- Heat Radiation Design
When using an IC with large current flow such as power amp, regulator or driver, please design the device so that heat is appropriately radiated, not to exceed the specified junction temperature (T_j) at any time and condition. These ICs generate heat even during normal use. An inadequate IC heat radiation design can lead to decrease in IC life, deterioration of IC characteristics or IC breakdown. In addition, please design the device taking into considerate the effect of IC heat radiation with peripheral components.
- Installation to Heat Sink
Please install the power IC to the heat sink not to apply excessive mechanical stress to the IC. Excessive mechanical stress can lead to package cracks, resulting in a reduction in reliability or breakdown of internal IC chip. In addition, depending on the IC, the use of silicon rubber may be prohibited. Check whether the use of silicon rubber is prohibited for the IC you intend to use, or not. For details of power IC heat radiation design and heat sink installation, refer to individual technical datasheets or IC databooks.

RESTRICTIONS ON PRODUCT USE

060116EBA

- The information contained herein is subject to change without notice. 021023_D
- TOSHIBA is continually working to improve the quality and reliability of its products. Nevertheless, semiconductor devices in general can malfunction or fail due to their inherent electrical sensitivity and vulnerability to physical stress. It is the responsibility of the buyer, when utilizing TOSHIBA products, to comply with the standards of safety in making a safe design for the entire system, and to avoid situations in which a malfunction or failure of such TOSHIBA products could cause loss of human life, bodily injury or damage to property.
In developing your designs, please ensure that TOSHIBA products are used within specified operating ranges as set forth in the most recent TOSHIBA products specifications. Also, please keep in mind the precautions and conditions set forth in the "Handling Guide for Semiconductor Devices," or "TOSHIBA Semiconductor Reliability Handbook" etc. 021023_A
- The TOSHIBA products listed in this document are intended for usage in general electronics applications (computer, personal equipment, office equipment, measuring equipment, industrial robotics, domestic appliances, etc.). These TOSHIBA products are neither intended nor warranted for usage in equipment that requires extraordinarily high quality and/or reliability or a malfunction or failure of which may cause loss of human life or bodily injury ("Unintended Usage"). Unintended Usage include atomic energy control instruments, airplane or spaceship instruments, transportation instruments, traffic signal instruments, combustion control instruments, medical instruments, all types of safety devices, etc. Unintended Usage of TOSHIBA products listed in this document shall be made at the customer's own risk. 021023_B
- The products described in this document shall not be used or embedded to any downstream products of which manufacture, use and/or sale are prohibited under any applicable laws and regulations. 060106_Q
- The information contained herein is presented only as a guide for the applications of our products. No responsibility is assumed by TOSHIBA for any infringements of patents or other rights of the third parties which may result from its use. No license is granted by implication or otherwise under any patent or patent rights of TOSHIBA or others. 021023_C
- The products described in this document are subject to the foreign exchange and foreign trade laws. 021023_E

About solderability, following conditions were confirmed

- Solderability
 - (1) Use of Sn-37Pb solder Bath
 - solder bath temperature = 230°C
 - dipping time = 5 seconds
 - the number of times = once
 - use of R-type flux
 - (2) Use of Sn-3.0Ag-0.5Cu solder Bath
 - solder bath temperature = 245°C
 - dipping time = 5 seconds
 - the number of times = once
 - use of R-type flux